

DESCRIPTION

BL8023K is a bi-direction relay driver circuit, used to control the magnetic latching relay, with large output capability, ultra-low power consumption. It can be widely used in smart meters and other pulses, level control applications.

BL8023K can provide 400mA typical driving current, which will different according to the relay coil resistance. The input High Level Threshold of BL8023K is 2V, making it compatible with most single chip microcontroller.

BL8023K is available in SOT23-6 and SOP-8 packages.

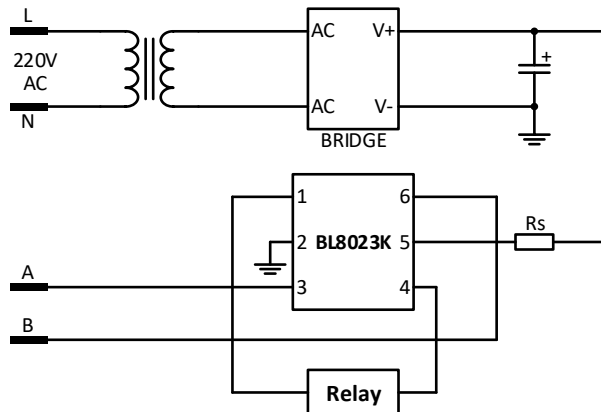
FEATURES

- 5 to 40V input voltage range
- Low power consumption ($I_Q < 1\mu A$)
- Input high level threshold: 2V, compatible with most single chip microcontroller
- Typical driving current: 400mA
 $R_{DS(ON)} = 7\Omega$ ($V_{IN} = 12V$, PMOSFET+NMOSFET)
 $R_{DS(ON)} = 7\Omega$ ($V_{IN} = 30V$, PMOSFET+NMOSFET)
- Peak driving current: 500mA@ $V_{IN} = 24V$
- Environment temperature: $-40^\circ C \sim 85^\circ C$
- SOT23-6 and SOP-8 packages

APPLICATIONS

- Smart Meter

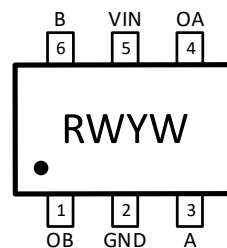
TYPICAL APPLICATION



ORDERING INFORMATION

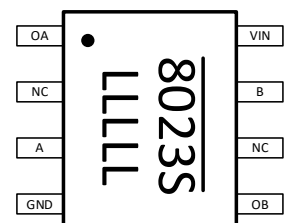
Part No.	Package	Tape & Reel
BL8023KCB6TR	SOT23-6	3000/Reel
BL8023KCD8TR	SOP-8	2500/Reel

PIN OUT & MARKING



SOT23-6

RW: Product Code
YW: Date code



SOP-8

8023S: Product Code
LLLLL: Lot No.

BL8023K

ABSOLUTE MAXIMUM RATING

Parameter		Value	
Supply voltage V_{IN}		-0.3V to 40V	
Input pins		-0.3V to 40V	
Output pins		-0.3V to 40V	
Max operating junction temperature (T_J)		150°C	
Ambient temperature (T_A)		-40°C to 125°C	
Package thermal resistance	SOT23-6	θ_{JA}	190°C/W
		θ_{JC}	110°C/W
	SOP-8	θ_{JA}	128°C/W
		θ_{JC}	45°C/W
Storage temperature (T_S)		-40°C to 150°C	
Lead temperature & time		260°C, 10S	

Note: Exceed these limits to damage to the device.

Exposure to absolute maximum rating conditions may affect device reliability.

RECOMMENDED WORK CONDITIONS

Parameter		Value
Input voltage range		Max. 40V
Operating junction temperature (T_J)		-40°C to 85°C

ELECTRICAL CHARACTERISTICS

($V_{IN}=12V$, $T_A=25^\circ C$)

Symbol	Parameter	Conditions	Min	Typ	Max	Units
V_{IN}	Input voltage range		5		40	V
I_Q	Quiescent current				1	uA
$R_{DS(ON)}$	Switch $R_{DS(ON)}$	$V_{IN}=12V$, $R_L=75ohm$		7	10	ohm
		$V_{IN}=30V$, $R_L=75ohm$		7	10	ohm
		$V_{IN}=12V$, $R_L=40ohm$		7	10	ohm
V_{TH}	ON input high voltage	$V_{IN}=12V$		2		V
R_{IN}	Equivalent input resistor			20		Kohm
V_{SD}	Fly-wheel diode forward voltage	$I_S=1A$		1.4	1.5	V
T_R	Rise time	$V_{IN}=12V$, $R_L=75ohm$		560		ns
$T_{D(ON)}$	Turn on delay time	$V_{IN}=12V$, $R_L=75ohm$		1400		ns
T_F	Fall time	$V_{IN}=12V$, $R_L=75ohm$		200		ns
$T_{D(OFF)}$	Turn off delay time	$V_{IN}=12V$, $R_L=75ohm$		800		ns

LOGIC FUNCTION TABLE

Input A	Input B	Output OA	Output OB	RELAY RESPONSE
1	0	1	0	ON
0	1	0	1	OFF
0	0	High-impedance	High-impedance	Hold
1	1	High-impedance	High-impedance	Hold

BL8023K

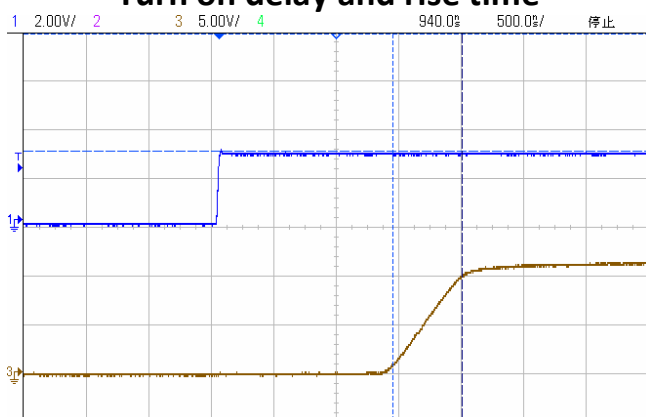
PIN DESCRIPTION

NAME	PIN #		DESCRIPTION
	SOT23-6	SOP-8	
OA	4	1	Output A.
NC	-	2, 6	Not connected.
A	3	3	Input A.
GND	2	4	Ground.
OB	1	5	Output B.
B	6	7	Input B.
VIN	5	8	Supply input voltage.

ELECTRICAL PERFORMANCE

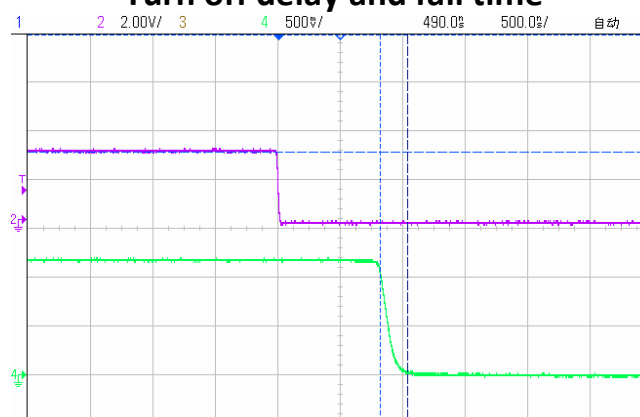
Tested under $T_A=25^{\circ}\text{C}$, unless otherwise specified.

Turn on delay and rise time



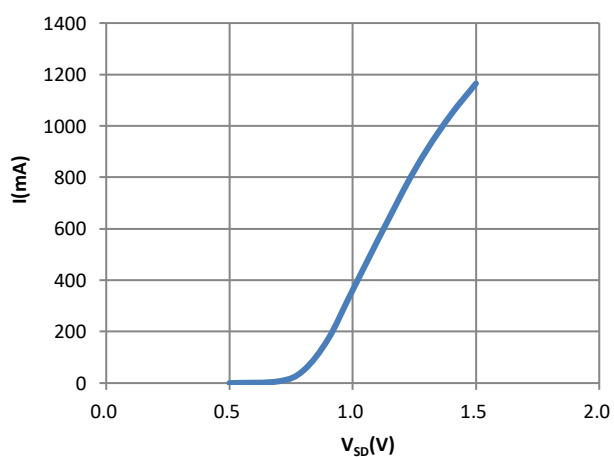
Ch1—Input, Ch3—Output

Turn off delay and fall time

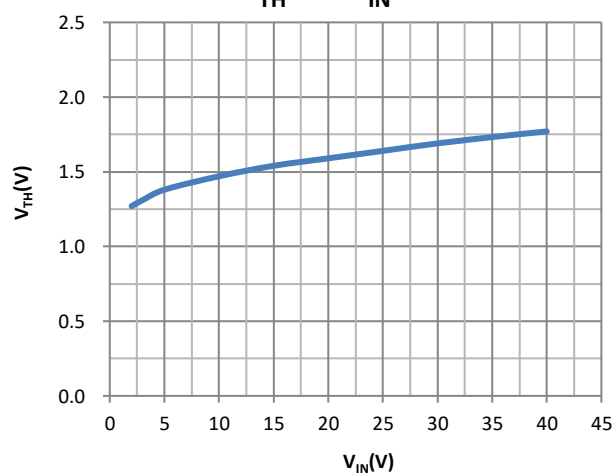


Ch2—Input, Ch4—Output

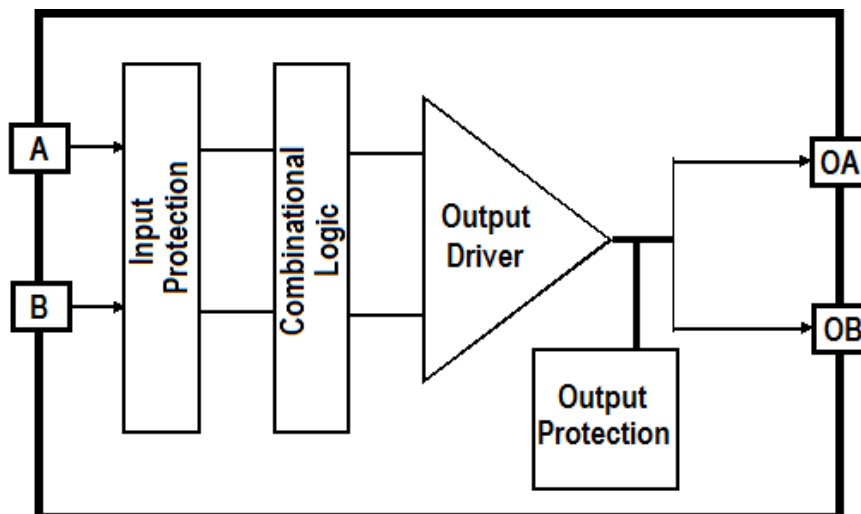
Forward Voltage



V_{TH} vs. V_{IN}



BLOCK DIAGRAM

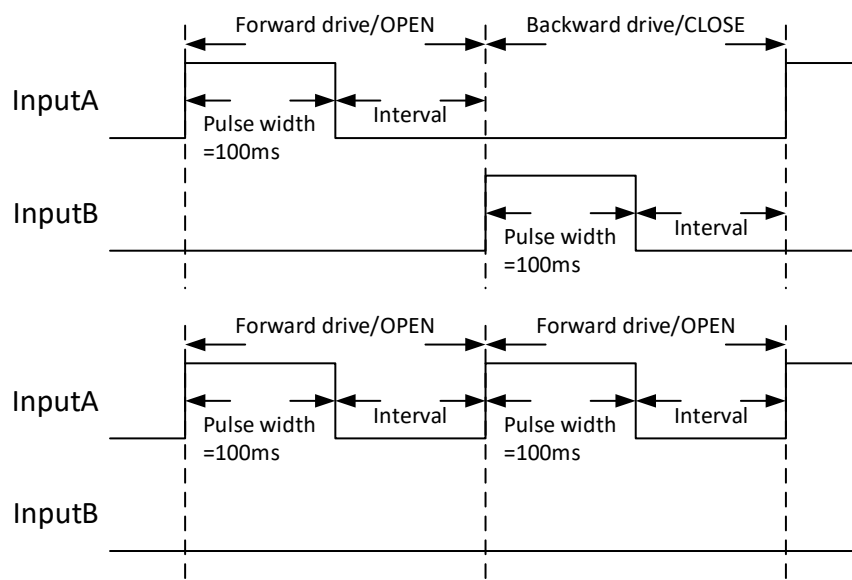


DETAILED DESCRIPTION

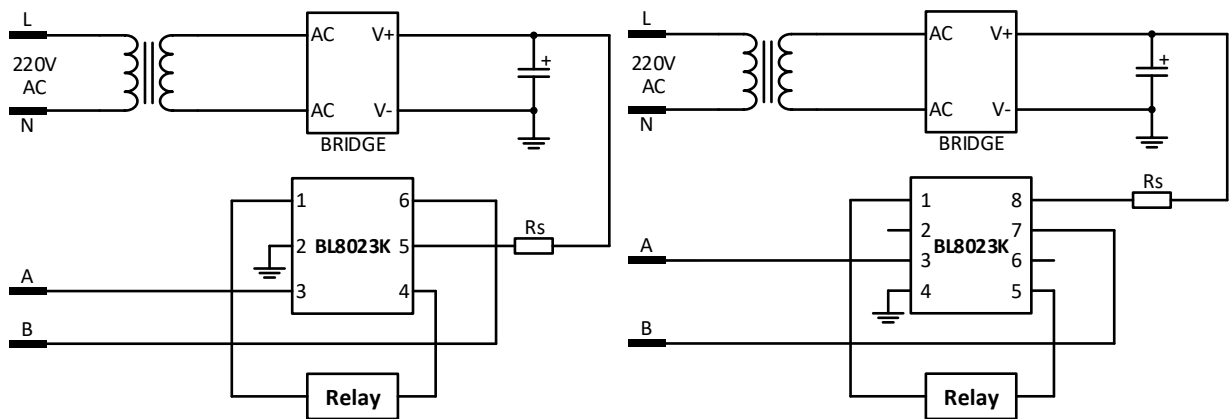
Pulse Triggering

If input is driven by square pulse, connect the inputs to the pulse source directly. Relay will operate as logic table stated (V_{IN} should be less than the power supply voltage, R_s is current-limiting resistor, it can be ignored in the voltage is below 20V, i.e. $R_s=0$).

The recommended pulse width=100ms. The length of the intervals should be longer than 100ms. These intervals include: intervals between forward drive pulse and next backward drive pulse, intervals between forward drive pulse and next forward drive pulse, intervals between backward drive pulse and next forward drive pulse, intervals between backward drive pulse and next backward drive pulse.



BL8023K



Pulse triggering application diagram

Relay free-wheel

Relay from ON to OFF, the energy stored in the relay inductor released by the chip's internal body diode and the relay inductor. Until the end of the release of this energy, relay proceeding to the next operation.

PACKAGE OUTLINE

Package	SOT23-6	Devices per reel	3000	Unit	mm
Package specification:					

BL8023K

