



Catalog of Products 产品目录 2021

用“芯”创造美好生活
Enable a more wonderful life through IC

Catalog of Products 产品目录

| | |
|---|-----------|
| POWER MANAGEMENT 电源管理 | 1 |
| DC/DC STEP-DOWN CONVERTER (降压型 DC/DC 转换器)..... | 1 |
| DC/DC STEP-UP CONVERTER (升压型 DC/DC 转换器)..... | 2 |
| CMOS TYPE LDO LINEAR REGULATOR (CMOS 型低压差线性稳压器)..... | 2 |
| BIPOLAR TYPE LDO LINEAR REGULATOR (双极型低压差线性稳压器)..... | 4 |
| LI-ION BATTERY CHARGER (锂电池充电芯片)..... | 4 |
| LOAD SWITCH (精密限流负载开关)..... | 4 |
| THREE-TERMINAL POSITIVE REGULATOR (三端稳压器)..... | 4 |
| VOLTAGE DETECTOR/RESET IC (电压检测器/复位 IC)..... | 5 |
| AC/DC CONVERTER (AC/DC 转换器)..... | 5 |
| ISOLATOR 隔离器芯片 | 5 |
| DIGITAL ISOLATOR (数字隔离器)..... | 5 |
| SMART METER IC 表计芯片 | 6 |
| ENERGY MEASUREMENT ASIC (电能计量专用电路)..... | 6 |
| MEASUREMENT IC OF IOT(物联网计量电路)..... | 6 |
| SoC (电能表专用系统级芯片)..... | 6 |
| LCD DISPLAY DRIVER (液晶显示驱动芯片)..... | 7 |
| POWER LINE COMMUNICATION MODEM CHIP (电力线载波通信调制解调电路)..... | 7 |
| RELAY DRIVER (磁保持继电器驱动芯片)..... | 7 |
| STANDARD INTERFACE CIRCUIT 接口电路 | 8 |
| ANALOG SWITCH (模拟开关)..... | 8 |
| CLASS AB AUDIO AMPLIFIER (AB 类音频功放电路)..... | 8 |
| CLASS D AUDIO AMPLIFIER (D 类音频功放电路)..... | 8 |
| INTERFACE CIRCUIT (RS-485 接口电路)..... | 8 |
| VIDEO FILTER DRIVER (视频滤波驱动)..... | 9 |
| AMPLIFIERS 放大器 | 9 |
| ADC/DAC 数据转换器芯片 | 10 |
| VOLTAGE REFERENCES 电压基准源芯片 | 11 |
| PROGRAMMABLE UNIT 可编程类 | 11 |
| GENERAL PURPOSE MCU (通用微控制器)..... | 11 |
| ANALOG MICROCONTROLLER (模拟微控制器)..... | 11 |
| DRIVE CIRCUIT 驱动电路 | 12 |
| DC MOTOR DRIVER (马达驱动)..... | 12 |
| DARLINGTON TRANSISTOR ARRAYS (达林顿驱动)..... | 12 |
| SMOKE DETECTOR (烟雾检测电路)..... | 12 |
| REAL TIME CLOCK (低功耗实时时钟)..... | 12 |
| MOS DRIVER (MOSFET 驱动芯片)..... | 13 |
| LED DRIVER LED 照明/背光驱动电路 | 13 |
| PFC CONTROLLER WITH PSR FOR LED DRIVER (高 PFC 高效隔离恒流驱动电路)..... | 13 |
| CURRENT RIPPLE REMOVING CIRCUIT (去纹波电流控制电路)..... | 13 |
| DC/DC LED DRIVER (DC/DC LED 驱动电路)..... | 13 |
| EEPROM 存储器 | 14 |
| MOSFET 金属氧化物半导体场效应晶体管 | 15 |
| TRENCH MOSFET (沟槽场效应晶体管)..... | 15 |
| DOUBLE TRENCH MOSFET (双沟槽场效应晶体管)..... | 17 |
| HIGH VOLTAGE PLANAR MOSFET (高压平面型场效应晶体管)..... | 17 |
| HIGH VOLTAGE SUPER JUNCTION MOSFET (高压超结型场效应晶体管)..... | 21 |
| IGBT 绝缘栅双极晶体管 | 22 |
| BELLING SOLUTIONS 贝岭解决方案 | 23 |
| BELLING ENERGY METERING SOLUTION (贝岭 IC 在智能电表中的应用)..... | 23 |
| BELLING SMART MCB SOLUTION (贝岭 IC 在智能微型断路器中的应用)..... | 23 |
| BELLING STB SOLUTION (贝岭 IC 在机顶盒中的应用)..... | 24 |
| BELLING LCD TV SOLUTION (贝岭 IC 在平板电视中的应用)..... | 24 |
| BELLING CAR BLACK BOX SOLUTION (贝岭 IC 在行车记录仪中的应用)..... | 25 |
| BELLING POWER SIGNAL SENSOR AND WIRELESS TRANSMISSION SYSTEM SOLUTION (贝岭 IC 在用电感知系统中的应用)..... | 25 |
| BELLING MOBILE POWER SOLUTION (贝岭 IC 在移动电源中的应用)..... | 26 |
| INTRODUCTION OF SHANGHAI BELLING 上海贝岭简介 | 26 |
| INDEX OF PART NUMBER -1 型号索引 1 | 27 |
| INDEX OF PART NUMBER -2 型号索引 2 | 28 |

Power Management 电源管理

DC/DC Step-down Converter (降压型 DC/DC 转换器)

| Part No. | Power switching | MODE | VIN | VOUT | IQ | FOSC | Eff. | Max. Duty Cycle | Accu. | IOUT | Package | Application | Reference |
|----------|-----------------------------|---------|----------|------|--------|--------|------|-----------------|-------|-------|------------------|---------------------|---------------------------------------|
| BL8026 | Built-in MOSFET Synchronous | PWM/PFM | 2.6~7.0V | ADJ | 50μA | 1.5MHz | 97% | 100% | ±2% | 1A | SOT23-5 DFN2x2-6 | TV,MID,STB, PON | SY8008, AMP2105 RT8008, RT8024 MT2104 |
| BL8028 | Built-in MOSFET Synchronous | PWM/PFM | 2.6~6.0V | ADJ | 80μA | 2MHz | 97% | 100% | ±2% | 1.5A | SOT23-5 DFN2x2-6 | TV,MID,STB, PON | SY8008, AMP2105 RT8008, RT8024 MT2104 |
| BL8029 | Built-in MOSFET Synchronous | PWM/PFM | 2.6~6.0V | ADJ | 50μA | 1.5MHz | 97% | 100% | ±2% | 1.2A | SOT563 | Security, Black Box | |
| BL9309 | Built-in MOSFET Synchronous | PWM/PFM | 2.5~5.5V | ADJ | 50μA | 1.3MHz | 97% | — | ±2.5% | 2A | SOT23-5 SOT23-6 | TV,MID,STB, PON | SY8009B ZTP7108 |
| BL9315 | Built-in MOSFET Synchronous | PWM/PFM | 2.6~5.5V | ADJ | 50μA | 1.4MHz | 97% | — | ±2.5% | 3A | ESOP8 | TV,STB | PAM2320 |
| BL8032S | Built-in MOSFET Synchronous | PWM/PFM | 3.5~16V | ADJ | 0.5mA | 500KHz | 96% | 95% | ±2% | 2A | SOT23-6 | TV,STB,PON | SY8120 |
| BL8033 | Built-in MOSFET Synchronous | PWM/PFM | 4.2~16V | ADJ | 0.5mA | 500KHz | 96% | 92% | ±2% | 3A | SOT23-6 | TV,STB,PON | MP1471 |
| BL8034 | Built-in MOSFET Synchronous | PWM/PFM | 4.2~16V | ADJ | 0.5mA | 500KHz | 95% | 92% | ±2% | 4A | ESOP8 | TV,STB,PON | MP1484 |
| BL8032 | Built-in MOSFET Synchronous | PWM/PFM | 4.2~18V | ADJ | 0.5mA | 500KHz | 96% | 92% | ±2% | 2A | SOT23-6 | TV,STB,PON | MP1470 |
| BL8032H | Built-in MOSFET Synchronous | PWM/PFM | 4.2~18V | ADJ | 0.5mA | 1MHz | 96% | 92% | ±2% | 2A | SOT23-6 | TV,STB,PON | MP1470H |
| BL8035 | Built-in MOSFET Synchronous | PWM | 4.2~18V | ADJ | 0.5mA | 500KHz | 96% | 92% | ±2% | 2A | SOT23-6 | SSD | MP1470B |
| BL8037 | Built-in MOSFET Synchronous | PWM/PFM | 4.2~30V | ADJ | 0.3mA | 500KHz | | 90% | ±2% | 2A | ESOP8 | | |
| BL8036 | Built-in MOSFET Synchronous | PWM/PFM | 4.2~30V | ADJ | 0.3mA | 500KHz | | 90% | ±2% | 3A | ESOP8 | | |
| BL9342 | Built-in MOSFET | PWM/PFM | 4.5~40V | ADJ | 0.2mA | 1.8MHz | 95% | 90% | ±2% | 600mA | SOT23-6 | 电表, 车载, 载波模块 | MP2451 LM2842 |
| BL9352A | Built-in MOSFET | PWM/PFM | 4.5~45V | ADJ | 0.69mA | 1.6MHz | 95% | 87% | ±2% | 600mA | SOT23-6 | 电表, 车载, 载波模块 | MP2451 LM2842 |
| BL9359 | Built-in MOSFET | PWM/PFM | 4.5~60V | ADJ | 0.73mA | 480KHz | 95% | 90% | ±2% | 500mA | SOT23-6 | 电表, 车载, 载波模块 | MP2459 |
| BL9362 | Built-in MOSFET | PWM/PFM | 4.5~60V | ADJ | | 2MHz | | | ±2% | 600mA | SOT23-6 | 电表, 车载, 载波模块 | MP2459 HT7463 |

DC/DC Step-up Converter (升压型 DC/DC 转换器)

| Part No. | MODE | VIN | VOUT | IQ | FOSC | Eff. | Accu. | Power Switching | IOUT | Package | Application | Reference |
|----------|----------------|----------|------------------------|-----|--------|------|-------|-------------------------|-------|----------------------------|------------------|-----------------------------------|
| BL8531 | PFM | 0.8~5.5V | 2.5~6.0V 100mV Step | 4μA | 450KHz | 85% | ±2% | Internal MOSFET | 300mA | SOT89-3 SOT23-3 SOT23-5 | 玩具, 鼠标, 应急充, MP4 | XC6383, S-8351 RT9261, AIC1642 |
| BL8531C | PFM | 0.8~5.5V | 2.5~6.0V 100mV Step | 6μA | 400KHz | 90% | ±2% | External MOSFET | — | SOT23-5 | 玩具, 鼠标, 应急充, MP4 | XC6368, RH5RK |
| BL8536 | Sync Boost PWM | 0.9~5.0V | 1.8~3.6V | 8μA | 1MHz | 94% | ±2% | Internal Sync Rectifier | 300mA | SOT89-3 SOT23-3 | 鼠标, 玩具 | |

CMOS Type LDO Linear Regulator (CMOS 型低压差线性稳压器)

| Part No. | Features | VIN | VOUT | Accu. | PSRR | IQ | IOUT(Max.) | Package | Application | Reference |
|----------|--|-----------|-----------------------------|---------|-------------------------|-------|------------|------------------------------------|--------------------------|--|
| BL8078 | Low Power Consumption, Low Dropout Voltage | 3.0~40V | 1.2~5.0V | ±2% | | 2.5μA | 150mA | SOT23-5 SOT89-3 | 电表, 车载, 玩具 | |
| BL8555 | Low Noise, High PSRR | 1.8~8.0V | 1.2~5.0V | ±2% | 65dB@1KHz | 25μA | 150mA | SOT23-5 | Ukey, 无绳电话, MID 等电池供电设备 | |
| BL8064 | Low Power Consumption, Low Dropout Voltage | 1.5~8.0V | 1.1~5.5V | ±2% | | 1μA | 200mA | SOT23-3 SOT89-3 | 电池供电设备 | XC6206 |
| BL8061 | Low Power Consumption, Low Dropout Voltage | Max. 16V | 1.2~5.0V | ±2% | | 2μA | 250mA | SOT23-3 SOT23-5 SOT89-3 | 电池供电设备 | |
| BL8062 | Low Power Consumption, Low Dropout Voltage | Max. 16V | 1.2~5.0V | ±2% | | 3μA | 250mA | SOT23-3 SOT89-3 | 电池供电设备 | |
| BL8503 | Low Dropout Voltage, Low Iq | Max. 8.0V | 1.2~6.0V | ±2%/±1% | | 3μA | 250mA | SOT89-3 SOT23-3 TO92 | 电池供电设备 | XC6206 |
| BL8077 | Low Power Consumption, Low Dropout Voltage | Max. 5.5V | 1.2, 1.8, 2.5, 3.0, 3.3V | ±2% | | 0.8μA | 300mA | DFN1x1-4 SOT23-5 | 电池供电设备 | |
| BL8063 | Low Noise, High PSRR | Max. 6.0V | 2.0~6.0V | ±2% | 74dB@100Hz | 35μA | 300mA | DFN1x1-4 SC70-5 SOT23-5 | 手机, 无绳电话, MID 等电池供电设备 SC | XC6219, RT9193, RT9198, R1114X, LP3985 |
| BL8563 | Low Noise, High PSRR, Output Discharge | Max. 6.0V | 1.5~4.5V | ±2% | 73dB@100Hz | 35μA | 300mA | DFN1x1-4 SC70-5 SOT23-3 SOT23-5 | 手机, 无绳电话, MID 等电池供电设备 | XC6219, RT9193, RT9198, R1114X, LP3985 |
| BL8067 | Low Noise, High PSRR, Output Discharge | 1.5~6.0V | 1.0~4.5V | ±2% | 70dB@100Hz | 35μA | 300mA | SOT23-5 SC70-5 DFN1x1-4 | 手机, 无绳电话, MID 等电池供电设备 | |
| BL9193 | RF LDO, Ultra Low Noise, High PSRR, Output Discharge | 2.0~6.0V | 1.2~5.0V, ADJ | ±2%/±1% | 80dB@217Hz 78dB@1KHz | 90μA | 300mA | SOT23-5 SC70-5 | 电话, 无绳电话, MID 等电池供电设备 | RT9193 |
| BL9195 | Ultra Fast, Ultra Low Noise, High PSRR, Output Discharge | 2.0~6.0V | 1.2~5.0V | ±2%/±1% | 78dB@217Hz | 90μA | 300mA | SOT23-3 SOT89-3 SOT223-3 | STB, 光驱, TV | XC6206, RS7100, RT9166 |
| BL9198 | RF LDO, Ultra Low Noise, High PSRR, Output Discharge | 2.0~6.0V | 1.2~5.0V | ±2%/±1% | 78dB@217Hz | 90μA | 300mA | SOT23-5 SC70-5 | 电话, 无绳电话, MID 等电池供电设备 | XC6219, XC6209, R1114X |
| BL9161 | Low Noise, High PSRR, Output Discharge | 2.2~5.5V | 1.5~3.3V | ±2% | 78dB@217Hz | 70μA | 300mA | DFN1X1-4 SC70-5 SOT23-3 SOT23-5 | 电话, 无绳电话, MID 等电池供电设备 | XC6219, XC6209, R1114X |
| BL9162 | Low Noise, High PSRR, Fast Response, Output Discharge | 1.6~5.5V | 1.0~4.0V | ±2% | 87dB@217Hz | 45μA | 300mA | DFN1X1-4 SOT23-5 SC70-5 | 手机, 摄像头, 机顶盒 | NCP114 |

| Part No. | Features | VIN | VOUT | Accu. | PSRR | IQ | IOUT(Max.) | Package | Application | Reference |
|----------|---|-----------|----------|-------------|------------|---------|------------|----------------------------|--------------------------|--------------------------------|
| BL9165 | Low Noise, High PSRR, Fast Response ,Output Discharge | 1.8~5.5V | 1.0~4.0V | ±2% | 87dB@217Hz | 45μA | 500mA | DFN1X1-4 SOT23-5 SC70-5 | 手机,摄像头,机顶盒 | |
| BL8079 | Low Noise, High PSRR, Output Discharge | 2.5~6.0V | ADJ | ±2% | 60dB@1KHz | 40μA | 300mA | SOT23-5 SC70-5 | STB, MID 等电池供电设备 | SGM2032 |
| BL9180 | Dual Channels LDO, Output Discharge | 2.0~6.0V | 1.2~5.0V | ±2%/ ±1% | 70dB@1KHz | 90μA x2 | 300mA x2 | SOT23-6 ESOP8 | 电话,摄像头模组 | XC6401 |
| BL8566 | Dual Channels LDO, Output Discharge | Max. 6.0V | 1.5~4.5V | ±2%/ ±1% | 73dB@100Hz | 20μA x2 | 300mA x2 | SOT23-6 | 电话,摄像头模组 | RT9011,XC6401 |
| BL8075 | Low Power Consumption, Low Dropout Voltage | 3.0~16V | 1.2~5.0V | ±2% | | 10μA | 500mA | SOT23-5 SOT89-3 | 对讲机 | MD53XX |
| BL8558 | Low Noise, High PSRR, Output Discharge | Max. 8.0V | 1.2~4.5V | ±2%/ ±1% | 66dB@100Hz | 75μA | 500mA | SOT89-3 SOT23-5 | 电池供电设备 | RT9013,RT9017 |
| BL8565 | Low Noise, Low Dropout, High PSRR, Output Discharge | Max. 6.0V | 1.5~4.5V | ±2% | 73dB@100Hz | 20μA | 500mA | SOT89-3 | STB, 光驱, TV | RT9162,FS8853 PT5102,SG2003 |
| BL8568 | Low Noise, High PSRR Fast Response, Output Discharge | Max. 6.0V | 1.2~4.5V | ±2% | 72dB@1KHz | 30μA | 500mA | SC70-5 SOT23-5 | 电话,无绳电话, MID 等电 池供电设备 | |
| BL8569 | Dual Channels LDO | Max. 6.0V | 1.2~4.5V | ±2% | 72dB@1KHz | 30μA x2 | 500mA x2 | SOT23-6 | 电话,摄像头模组 | |
| BL8067A | Low Noise, High PSRR, Output Discharge | 1.5~6.0V | 1.0~4.5V | ±2% | 70dB@100Hz | 35μA | 500mA | SOT23-5 SC70-5 DFN1x1-4 | 手机,无绳电话, MID 等电 池供电设备 | |
| BL8079A | Low Noise, High PSRR, Output Discharge | 2.5~6.0V | ADJ | ±2% | 60dB@1KHz | 40μA | 600mA | SOT23-5 SC70-5 | STB, MID 等电池供电设 备 | |
| BL8074 | Low Noise, Low Dropout, High PSRR | Max. 6.0V | 1.2~5.0V | ±2% | | 100μA | 0.8A | SOT89-3 | TV,STB,PC主板 | |
| BL9110 | 1A Very Low Dropout Low Noise High PSRR | 2.5~6.0V | 1.0~5.0V | ±2%/ ±1% | 70dB@100Hz | 70μA | 1A | SOT223-3 TO252-3 | TV,STB,PC主板 | TPS73701,G1117 AP2114 |
| BL8073 | Low Noise, Low Dropout, High PSRR | Max. 6.0V | 1.2~5.0V | ±2% | | 100μA | 1A | SOT89-3 SOT23-5 | TV,STB,PC主板 | |
| BL8071 | Low Noise, Low Dropout, High PSRR | Max. 6.0V | 1.2~5.0V | ±2% | | 100μA | 1.5A | SOT223 | TV,STB,PC主板 | |
| BL8072 | 2A Low Dropout, Low Iq | Max. 18V | 1.2~5.0V | ±2% | | 3μA | 2A | SOT223 TO252 | TV,STB,PC主板 | |

*Ordered by IOUT

Bipolar Type LDO Linear Regulator (双极型低压差线性稳压器)

| Part No. | Features | VIN | VOUT | Accu. | IQ | IOUT (Max.) | Package | Application | Reference |
|----------|--|----------|-------------------------|-------|---------|-------------|--------------|--------------|-----------|
| BL1117 | Bipolar, Low Dropout Voltage | Max. 15V | 1.2,1.8,2.5,3.3,5V, ADJ | ±2% | 2mA | 1A | SOT223 TO252 | TV,STB,PC 主板 | LM1117 |
| BL1117C | Bipolar, Low Dropout Voltage | Max. 15V | 1.2V | ±2% | 2mA | 1A | SOT223 | TV,STB,PC 主板 | LM1117 |
| BL1118 | Dual Channels Bipolar, Low Dropout Voltage | Max. 12V | 1.2,1.8,2.5,3.3,5V, ADJ | ±2% | 2mA x 2 | 1A x 2 | ESOP8 | TV,STB,PC 主板 | |
| BL1085 | Bipolar, Low Dropout Voltage | Max. 12V | 1.8,2.5,3.3,5V, ADJ | ±2% | 4mA | 3A | TO252 TO263 | TV,STB,PC 主板 | LM1085 |
| BL1084 | Bipolar, Low Dropout Voltage | Max. 12V | 1.8,2.5,3.3,5V, ADJ | ±2% | 5mA | 5A | TO252 TO263 | TV,STB,PC 主板 | LM1084 |

Li-ion Battery Charger (锂电池充电芯片)

| Part No. | Features | VIN | Series Cells | Max. Charger | Charger Type | Output Accu. | Package | Application | Reference |
|----------|--|-----------------------|--------------|--------------|--------------|-------------------------------|---------------------|-------------|-----------|
| BL4054B | Temperature Regulation, Trickle Charge, C/10 Charge Termination, USB Compliant | 4.25~6.5V Max. 10V | 1 | 800mA | Linear | 4.2V±1% 4.3V±1% 4.4V±1% | SOT23-5 TSOT23-5 | 单节锂电供电设备 | LTC4054 |
| BL4056C | 1A Lithium Ion Battery Linear Charger | 4.2~9.0V | 1 | 1A | Linear | 4.2V±1% 4.35V±1% | ESOP8 | 单节锂电供电设备 | |
| BL8573 | 500mA/1.5A Lithium Ion Battery Linear Charger | 4.25~6.0V | 1 | 500mA/1.5A | Linear | 4.2V±1% 4.35V±1% | SOT23-6 ESOP8 | 单节锂电供电设备 | |
| BL8574 | 500mA Lithium Ion Battery Linear Charger | 4.25~6.0V | 1 | 500mA | Linear | 4.2V±1% | SOT23-5 | 单节锂电供电设备 | |
| BL8576 | 1A Lithium Ion Battery Linear Charger | 4.25~6.0V | 1 | 1A | Linear | 4.2V±1% | ESOP8 | 单节锂电供电设备 | |

Load Switch (精密限流负载开关)

| Part No. | Features | VIN | IQ | Current Limit Threshold | Power switch On Resistance | Package | Application | Reference |
|----------|---|----------|------|-------------------------|----------------------------|---------|----------------------|-----------|
| BL2555 | 1CH ADJ Current-Limited Power Distribution Switch | 2.4~5.5V | 15µA | Max. 2A | 80mΩ | SOT23-5 | STB, Wi-Fi Router/AP | SY6280 |

Three-terminal Positive Regulator (三端稳压器)

| Part No. | Features | VIN | VOUT | Accu. | IQ | IOUT (Max.) | Package | Application | Reference |
|----------|---|----------|------|-------|------------|-------------|-------------------|-------------|-----------|
| BL78L05D | Three-terminal Positive Voltage Regulator | Max. 35V | 5.0V | ±2% | 2mA | 100mA | SOT89-3 TO92 | 家电, 电表 | |
| BL78L05 | Three-terminal Positive Voltage Regulator | Max. 30V | 5.0V | ±4% | Max. 5.5mA | 100mA | SOT89-3 TO92 | 家电, 电表 | |
| BL317B | High Current Adjustable Voltage Regulator | Max. 40V | ADJ | ±4% | 46µA | 1.5A | TO220 TO252 TO263 | STB | LM317 |

Voltage Detector/Reset IC (电压检测器/复位 IC)

| Part No. | VIN | VDET | IQ | Accu. | Output Type | Package | Delay Time | Application | Reference |
|----------|----------|--------------------|-------|-------|----------------------------|----------------------------------|------------|--|------------------------|
| BL8506 | 0.7~10V | 0.9~6V (Step 0.1V) | 0.5μA | ±2% | CMOS Or NCh, Hysteresis 4% | SOT23-3 SOT89-3 SOT23-5 SOT23 | N/A | 便携式电池电压检测, Power Good, Failure 检测 | R3111, XC61C HT70XX |
| BL8518 | 6.0V | 2.63V, 2.93V | 4.5μA | ±3% | CMOS Or NCh | SOT23 | 200ms | 便携式电池电压检测, Power Good, 上电掉电复位 Failure 检测 | R3110, MAX809 |
| BL8511 | 1.2~6.0V | 1.4V | 4μA | ±2.5% | NCh | DFN2x2-6 | 15ms | SSD | |

AC/DC Converter (AC/DC 转换器)

PSR 系列

| Part No. | Pout (Max.) | Drive Device | BVDSS | MODE | Standby Power | OVP | Package | Application | Reference |
|----------|-------------|--------------|-------|------|---------------|-----|---------|-----------------------------|-----------|
| BL8802 | 15W | MOSFET | 1000V | PSR | <75mW | Y | DIP7 | 智能电表, 户外监控, 高输入电压的 AC/DC 方案 | |
| BL8812 | 12W | MOSFET | 650V | PSR | <75mW | Y | SOP7 | 充电器, 适配器, LED 驱动电源 | OB2500 |

SSR 系列

| Part No. | Pout (Max.) | Drive Device | MODE | Standby Power | Power on Soft-Start | OVP | Package | Application | Reference |
|----------|-------------|-----------------|------|---------------|---------------------|-----|---------|---------------------|----------------|
| BL8891B | 15W | MOSFET | SSR | <0.15W | Y | Y | DIP7 | 电源适配器, 机顶盒电源, 小家电电源 | OB2358, SP7625 |
| BL8851 | 60W | External MOSFET | SSR | <0.15W | Y | Y | SOT23-6 | 电源适配器, 机顶盒电源, 小家电电源 | OB2273 |

Isolator 隔离器芯片

Digital Isolator (数字隔离器)

| Part No. | VDD | Data Rate | Channel | Forward/Reverse | Viso | Default Output | Integrated Power | Package | Reference | Application |
|-----------|----------|-----------|---------|-----------------|----------|----------------|------------------|---------|--------------------------------|-------------|
| BLD7720AL | 2.7~5.5V | 90Mbps | 2 | 2/0 | 2500Vrms | L | No | SOP8 | ISO7720 Si86220 ADUM1200 | 电机控制, 电源系统 |
| BLD7720AH | 2.7~5.5V | 90Mbps | 2 | 2/0 | 2500Vrms | H | No | SOP8 | | 电机控制, 电源系统 |
| BLD7721AL | 2.7~5.5V | 90Mbps | 2 | 1/1 | 2500Vrms | L | No | SOP8 | ISO7721 Si8622 ADUM1201 | 电机控制, 电源系统 |
| BLD7721AH | 2.7~5.5V | 90Mbps | 2 | 1/1 | 2500Vrms | H | No | SOP8 | | 电机控制, 电源系统 |
| BLD7741BL | 2.7~5.5V | 90Mbps | 4 | 3/1 | 5000Vrms | L | No | SOIC16 | ISO7741 Si8641 ADUM1401 | 电机控制, 电源系统 |
| BLD7741BH | 2.7~5.5V | 90Mbps | 4 | 3/1 | 5000Vrms | H | No | SOIC16 | | 电机控制, 电源系统 |
| BLD7742BL | 2.7~5.5V | 90Mbps | 4 | 2/2 | 5000Vrms | L | No | SOIC16 | ISO7742 Si8642 ADUM1402 | 电机控制, 电源系统 |
| BLD7742BH | 2.7~5.5V | 90Mbps | 4 | 2/2 | 5000Vrms | H | No | SOIC16 | | 电机控制, 电源系统 |

Smart Meter IC 表计芯片

Energy Measurement ASIC (电能计量专用电路)

| Part No. | Measurement | Power Consumption | ADC Channels | Output | Clock | VDD | Calibration Free | Package | Application |
|----------|--|-------------------|--------------|------------|----------|------|------------------|---------|--------------------|
| BL0921 | Active | 20mW | 3 | Pulse | Internal | 5.0V | × | SOP16 | 单相防窃电能表 |
| BL6501A | Active | 15mW | 3 | Pulse | 3.58MHz | 5.0V | × | SSOP24 | 单相防窃电能表 |
| BL0930F | Active 3000:1 | 10mW | 2 | Pulse | Internal | 3.3V | | TSSOP14 | 单相有功电能表 支持自动化校表 |
| BL6503E | Active | 15mW | 2 | Pulse | 3.58MHz | 5.0V | × | SSOP24 | 单相有功电能表 |
| BL6513C | Active 3000:1 | 25mW | 6 | Pulse | 3.58MHz | 5.0V | × | SOP24 | 三相有功电能表 |
| BL6523B | Multifunction (Active 5000:1, I, V, P, S, PF, Freq.) | 25mW | 3 | Pulse/SPI | 3.58MHz | 5.0V | × | SSOP24 | 国网单相多功能电能表 |
| BL6523GX | PF, V, P, Multifunction (Active 6000:1, I, Freq.), S | 25mW | 3 | UART/Pulse | 3.58MHz | 5.0V | × | SOP16 | 国网单相多功能电能表 |

Measurement IC Of IOT(物联网计量电路)

| Part No. | Measurement | Power Consumption | ADC Channels | Output | Clock | VDD | Calibration Free | Package | Application |
|----------|---|-------------------|--------------|----------|----------|------|------------------|----------------|--------------------------|
| BL0937 | Multifunction (Active, I, V, P.) | 6mW | 2 | Pulse | Internal | 3.3V | × | SOP8 | 智能插座 |
| BL0939 | Multifunction (Active, I, V, P.) | 10mW | 3 | UART/SPI | Internal | 3.3V | ✓ | SOP16 SSOP20 | 电动自行车充电桩 单相智能断路器 |
| BL0940 | Multifunction (Active, I, V, P.) | 8mW | 2 | UART/SPI | Internal | 3.3V | ✓ | TSSOP14 | DALI2.0 智能照明 智能家电计量模块 |
| BL0942 | Multifunction (Active, I, V, P, Freq.) | 10mW | 2 | UART/SPI | Internal | 3.3V | ✓ | SSOP10 TSSOP14 | 智能插座 智能家电计量模块 |
| BL0910 | 1U10I Or 3U6I, Multifunction (Active 5000:1, Reactive 5000:1, Freq., PF, Q, S, P, V, I) | 30mW | 11 | UART/SPI | Internal | 3.3V | ✓ | LQFP48 | 多路充电桩 智能 PDU |
| BL0956 | 1U6I, Multifunction (Active 5000:1, Reactive 5000:1, Freq., PF, Q, S, P, V, I)/DC 2000:1 | 30mW | 7 | UART/SPI | Internal | 3.3V | ✓ | LQFP32 | 直流检测模块 |
| BL6552 | 3U4I, Multifunction (Active 5000:1, Reactive 5000:1, Freq., PF, Q, S, P, V, I) | 30mW | 7 | UART/SPI | 3.58MHz | 3.3V | | QFN36 | 三相智能断路器 三相电能质量监测 |
| BL0972 | 1U1I, Multifunction DC 2000:1 | 30mW | 2 | SPI | Internal | 3.3V | × | TSSOP20 | 直流监控设备 |

SoC (电能表专用系统级芯片)

| Part No. | CPU | VDD | Flash | RAM | Measurement Features | LCD Driver | GPIO | RTC | Crystal(Hz) | Encrypt | I ² C | SPI | UART | 7816 | Package |
|-----------|--------|----------|-------|------|----------------------|--|------|-----|-------------|---------------------|------------------|-----|------|------|-----------------|
| BL66A0042 | ARM-M0 | 2.4~5.5V | 256KB | 16KB | 3×Σ-Δ | 4COM×22SEG 6COM×20SEG 8COM×18SEG | 42 | ✓ | 32.768K | AES 256/ 192/128 | 1 | 1 | 4 | 2 | LQFP64 (7×7) |

LCD Display Driver (液晶显示驱动芯片)

| Part No. | Features | IDD (Power Saving) | IDD (Normal Mode) | Interface | Supple Voltage | Package | Reference |
|----------|------------|--------------------|-------------------|-----------------|----------------|----------------|-----------|
| BL55024 | 4 x 15 SEG | 9 μ A@3.3V | 25 μ A@5V | Two-wire Serial | 2.5~5.5V | SOP24 | |
| BL55028 | 4 x 19 SEG | 9 μ A@3.3V | 25 μ A@5V | Two-wire Serial | 2.5~5.5V | SOP28 | |
| BL55066 | 4 x 24 SEG | 9 μ A@3.3V | 25 μ A@5V | Two-wire Serial | 2.5~5.5V | LQFP44 | PCF8566 |
| BL55070 | 4 x 35 SEG | 9 μ A@3.3V | 25 μ A@5V | Two-wire Serial | 2.5~5.5V | LQFP44 | |
| BL55072A | 4 x 36 SEG | 7.5 μ A@3.3V | 10 μ A@5V | Two-wire Serial | 2.5~5.5V | TSSOP48 | BU9792 |
| BL55077 | 4 x 40 SEG | 9 μ A@3.3V | 25 μ A@5V | Two-wire Serial | 2.5~5.5V | LQFP64 | PCF8576 |
| BL55080 | 8 x 35 SEG | 8 μ A@3.3V | 10 μ A@5V | Two-wire Serial | 2.5~5.5V | TSSOP48 LQFP48 | BU97950 |

Power Line Communication Modem Chip (电力线载波通信调制解调电路)

Application: AMR, Lighting Control, Fire Monitoring, Building Automation

| Part No. | General Description | Supple Voltage | Frequency Band (Adaptive) | Data Rate (Adaptive) | Standard | Sensitivity | Package |
|----------|-------------------------------|----------------|---|-----------------------|----------|-------------|---------|
| BL6810 | BPSK/DSSS Narrow Band PLC SoC | 4.5~5.5V | 131.58 kHz / 263.16 kHz /312.5 kHz / 416.67kHz | 5.48kbps/783bps/87bps | EIA709.2 | <1 μ V | LQFP32 |

Relay Driver (磁保持继电器驱动芯片)

| Part No. | Features | Standby | Rds(on) Typ. | Output | VDD | Package | Application |
|----------|----------------------------|------------|---|--------|---------|-----------|-------------------|
| BL8023C | Bidirectional Relay Driver | <1 μ A | 12 Ω @Vin=12V 10 Ω @Vin=30V | 300mA | 5.0~36V | DIP8 SOP8 | 电表, 功率补偿器, 磁保持继电器 |
| BL8023D | Bidirectional Relay Driver | <1 μ A | 12 Ω @Vin=12V 10 Ω @Vin=30V | 300mA | 5.0~36V | SOT23-6 | 电表, 功率补偿器, 磁保持继电器 |
| BL8023F | Bidirectional Relay Driver | <1 μ A | 12 Ω @Vin=12V 10 Ω @Vin=30V | 300mA | 5.0~36V | SOT23-6 | 电表, 功率补偿器, 磁保持继电器 |
| BL8023H | Bidirectional Relay Driver | <1 μ A | 7 Ω @Vin=12V 6.5 Ω @Vin=30V | 400mA | 5.0~40V | SOT23-6 | 电表, 功率补偿器, 磁保持继电器 |
| BL8023K | Bidirectional Relay Driver | <1 μ A | 7 Ω @Vin=12V A、B R _{in} =20K Ω | 400mA | 5.0~40V | SOT23-6 | 电表, 功率补偿器, 磁保持继电器 |

Standard Interface Circuit 接口电路

Analog Switch (模拟开关)

| Part No. | Mode | Features | VDD | Package | Applications | Reference |
|----------|------|--|-----------|-----------------------|---|-------------------|
| BL1551 | SPDT | 2.7Ω 300MHz Low-Voltage Analog Switch | 1.8~5.5V | SC70-6 | Mobile Phone, Portable Electronic Devices | FSA3157 NLASB3157 |
| BL1555 | SPDT | 0.3Ω 33MHz Bandwidth Dual SPDT Analog Switch | 1.65~5.5V | MSOP10 QFN1.8x1.4-10L | Mobile Phone, Portable Electronic Devices | SGM3005 SGM5223 |
| BL1530 | DPDT | High Speed USB 2.0(480Mbps) | 2.3~5.0V | TQFN10 MSOP10 | Mobile phone, DC and Notebook | SGM7222 FSUSB30 |
| BL1532 | DPDT | High Speed USB 2.0(480Mbps) | 2.3~5.0V | TQFN10 MSOP10 | Mobile phone, DC and Notebook | SGM7227 FSUSB42 |

Class AB Audio Amplifier (AB 类音频功放电路)

Applications: (1) Mobile phone, (2) PDA and handheld terminal, (3) MP3/MP4 player, (4) Portable DVD, (5) MID, (6) Multimedia Speaker

| Part No. | Features | Output | PSRR | VDD | Package | Applications | Reference |
|----------|-----------------------|--------|------|----------|------------|--------------|---------------|
| BL6281 | Audio Power Amplifier | 1.7W | 60dB | 2.2~5.5V | MSOP8 SOP8 | (1) (3) (5) | LM4990 |
| BL6282 | Audio Power Amplifier | 1.7W | 60dB | 2.2~5.5V | SOP8 | (4) (6) | LM4871 XX8002 |

Class D Audio Amplifier (D 类音频功放电路)

Applications: (1) Digital Photo Frame, (2) GPS/PND, (3) USB Speaker, (4) Portable DVD, (5) TV.

| Part No. | Features | Output | PSRR | VDD | Package | Applications | Reference |
|----------|--|---------|------|----------|-----------------|-----------------|-----------|
| BL6306 | Mono Filter-Free Class D Audio Power Amplifier | 2.6 W | 75dB | 2.5~5.5V | MSOP8 DFN8 SOP8 | (1) (2) (3) (4) | TPA2005 |
| BL6356 | Stereo Class D Audio Power Amplifier | 10W x 2 | 62dB | 4.0~12V | TSSOP28 | (3) (5) | TPA3110 |

*Order by Output Watt

Interface Circuit (RS-485 接口电路)

| Part No. | Features | VDD | Data Rate(Max.) | ICC | Package | Max. Points | Range Of Temp. | Reference |
|------------|---------------------------------------|------------|-----------------|-------|---------|-------------|----------------|---------------|
| BL3085 | 18KV ESD Protected RS485 Transceivers | 5.0V | 500kbps | 0.2mA | SOP8 | 256 | -40~+85℃ | MAX3085 |
| BL3085N | 18KV ESD Protected RS485 Transceivers | 5.0V | 500kbps | 0.2mA | SOP8 | 256 | -40~+85℃ | Self-adaption |
| BL3085B | 18KV ESD Protected RS485 Transceivers | 5.0V | 250kbps | 0.2mA | SOP8 | 256 | -40~+85℃ | MAX3085 |
| BL3085A(H) | 15KV ESD Protected RS485 Transceivers | 3.3V, 5.0V | 250kbps | 0.4mA | SOP8 | 256 | -40~+85℃ | MAX3085 |
| BL1587 | 15KV ESD Protected RS485 Transceivers | 5.0V | 2Mbps | 0.9mA | SOP8 | 128 | -40~+85℃ | |
| BL1587DN | 15KV ESD Protected RS485 Transceivers | 5.0V | 2Mbps | 0.9mA | DFN8 | 128 | -40~+85℃ | |

Video Filter Driver (视频滤波驱动)

| Part No. | Features | -3dB BandWidth | VDD | ESD | Package | Applications | Reference |
|----------------|---|----------------|----------|-----|------------|--------------|-----------|
| BL1513 | 3 Channel 5 th Order Standard Definition Video Filter Driver | 7.7 MHz | 3.3~5.5V | 8KV | SOP8 MSOP8 | Set Top Box | SGM9119 |
| BL1511 | 1 Channel 5 th Order Standard Definition Video Filter Driver | 8 MHz | 3.3~5.5V | 8KV | SC70-5 | Set Top Box | SGM9111 |
| BL1511B | 1 Channel 5 th Order Standard Definition Video Filter Driver | 8 MHz | 3.3~5.5V | 8KV | SC70-5 | Set Top Box | SGM9113 |

Amplifiers 放大器

| Part No. | CH | SHDN | Vcc(Min.)V | Vcc(Max.)V | Vos(mV) | Iq/CH(μA) | IB | GBP(MHz) | PSR(dB) | CMR(dB) | Package |
|--------------|----|------|------------|------------|---------|-----------|------|----------|---------|---------|---------|
| BL321 | 1 | N | 3 | 25 | 5 | 430 | 45nA | 1 | 85 | 90 | SOT23-5 |
| BL358 | 2 | N | 3 | 25 | 5 | 430 | 45nA | 1 | 85 | 90 | SOP8 |

ADC/DAC 数据转换器芯片

| Part No. | Features | SNR | SFDR | Power | Interface | Package |
|-------------------|---|---|---|-------|--------------|---------|
| BLAD16D80 | 16bit 80 MS/s 1.8V Dual Channel ADC | 77.5dBFS @10MHz input 65.3dBFS @300MHz input | 90.0dBc @10MHz input 78.0dBc @300MHz input | 477mW | CMOS/LVDS | QFN64 |
| BLAD16D125 | 16bit 125 MS/s 1.8V Dual Channel ADC | 77.5dBFS @10MHz input 66.0dBFS @300MHz input | 90.0dBc @10MHz input 76.0dBc @300MHz input | 796mW | CMOS/LVDS | QFN64 |
| BLAD14Q80 | 14bit 80 MS/s 1.8V Quad Channel ADC | 72.6dBFS @10MHz input 68.5dBFS @200MHz input | 85.5dBFS @10MHz input 70.5dBFS @200MHz input | 525mW | Serial-LVDS | QFN48 |
| BLAD14Q125 | 14bit 125 MS/s 1.8V Quad Channel ADC | 72.3dBFS @10MHz input 68.0dBFS @305MHz input | 85.0dBc @10MHz input 70.0dBc @305MHz input | 600mW | Serial-LVDS | QFN48 |
| BLAD16Q125 | 16bit 125 MS/s 1.8V Quad Channel ADC | 78.6dBFS @10MHz input 72.8dBFS @305MHz input | 90.0dBc @10MHz input 75.0dBc @305MHz input | 620mW | Serial-LVDS | QFN48 |
| BL1040 | 14bit 80 MS/s 1.8V Dual Channel ADC | 76.5dBFS @10MHz input 70.4dBFS @200MHz input | 88.0dBc @10MHz input 79.6dBc @200MHz input | 477mW | CMOS/LVDS | QFN64 |
| BL1063 | 16bit 125 MS/s 1.8V Quad Channel ADC | 81.1dBFS @10MHz input 72.9dBFS @305MHz input | 81.1dBFS @10MHz input 72.9dBFS @305MHz input | 832mW | JESD204B | QFN56 |
| BL1064 | 16bit 80 MS/s 1.8V/3.3V Dual ADC | 76.6dBFS @10MHz input 72.5dBFS @200MHz input | 85.5dBFS @10MHz input 79.5dBFS @200MHz input | 525mW | CMOS | QFN64 |
| BL1045 | 8 Channel 14bit 125 MS/s 1.8V ADC | 72.6dBFS @10MHz input 68.8dBFS @305MHz input | 85.0dBc @10MHz input 70.0dBc @305MHz input | 1.25W | Serial-LVDS | BGA196 |
| BL1065 | 8 Channel 16bit 125 MS/s 1.8V ADC | 78.6dBFS @10MHz input 72.8dBFS @305MHz input | 90.0dBc @10MHz input 75.0dBc @305MHz input | 1.25W | Serial-LVDS | BGA196 |
| BL1081 | 8 Channel 16 bits 100KS/s Simultaneous Sampling Data Acquisition System | 86.0dBFS @1KHz input | 105dBFS @1KHz input | 150mW | SPI | QFP64 |
| BL1082 | 8 Channel 16 bits 200KS/s Simultaneous Sampling Data Acquisition System | 86.0dBFS @1KHz input | 105dBFS @1KHz input | 165mW | SPI | QFP64 |
| BL1086 | 4 Channel 16 bits 320KS/s Simultaneous Sampling Data Acquisition System | 88.0dBFS @1KHz input | 105dBFS @1KHz input | 105mW | SPI | QFP64 |
| BL1088 | 16 Channel 16bits 1MS/s Simultaneous Sampling Data Acquisition System | 88.0dBFS @1KHz input | 105dBFS @1KHz input | 285mW | SPI with CRC | QFP72 |
| BL1080 | 18bits 2MS/s SAR ADC | 95.0dBFS @1KHz input | 110dBFS @1KHz input | 30mW | SPI | QFN32 |
| BL1031 | 2 Channel 16bits 250MS/s DAC | -160dBm/Hz NSD | 80.0dBc @20MHz output | 400mW | CMOS | QFN72 |

Voltage References 电压基准源芯片

| Part No. | Features | Output | Input | Temp Range | Temperature Drift | Initial Accuracy | Noise | Package |
|----------|----------------------------------|--------|----------|-------------|-------------------------|------------------|--------|---------|
| BLR120 | High Precision Voltage Reference | 2.048V | 12V Max. | -40°C~125°C | 5ppm Typical 10ppm Max. | 0.05% | 16μVpp | SOIC8 |
| BLR125 | High Precision Voltage Reference | 2.5V | 12V Max. | -40°C~125°C | 5ppm Typical 10ppm Max. | 0.05% | 20μVpp | SOIC8 |
| BLR133 | High Precision Voltage Reference | 3.3V | 12V Max. | -40°C~125°C | 5ppm Typical 10ppm Max. | 0.05% | 24μVpp | SOIC8 |
| BLR140 | High Precision Voltage Reference | 4.096V | 12V Max. | -40°C~125°C | 5ppm Typical 10ppm Max. | 0.05% | 30μVpp | SOIC8 |
| BLR150 | High Precision Voltage Reference | 5.0V | 12V Max. | -40°C~125°C | 5ppm Typical 10ppm Max. | 0.05% | 37μVpp | SOIC8 |

Programmable Unit 可编程类

General Purpose MCU (通用微控制器)

| Part No. | VDD | ROM | RAM | TIMER | OSC | I/O | INT | ADC | PWM | Package | OTHER |
|-----------|----------|-------------|------|---------|-----------------------|-----|-----|------------|-----|-----------------------------|--|
| BL23P42 | 2.4~5.5V | 4Kx8 OTP | 128B | 2x16bit | ILRC 32KHz, IRC 8MHz | 18 | 4 | 17CHx12bit | 2CH | SOP16 SOP20 QFN20 | STOP, WAIT, KBI, CMP, UART |
| BL23P516 | 1.8~3.6V | 16Kx8 OTP | 512B | 3x16bit | ILRC 32KHz, IRC 8MHz | 49 | 4 | 5CHx12bit | - | LQFP48 LQFP64 | STOP, WAIT, KBI, LCD, CMP, UART |
| BL23M1610 | 1.8~5.5V | 16Kx8 MTP | 512B | 3x16bit | ILRC 32KHz, IRC 8MHz | 22 | 4 | 13CHx12bit | 3CH | SOP20 QFN20 QFN24 | STOP, WAIT, KBI, CMP, I ² C, UART |
| BL32F3210 | 2.0~5.5V | 32Kx8 Flash | 2KB | 3x16bit | ILRC 32KHz, IRC 24MHz | 26 | 26 | 15CHx12bit | 3CH | TSSOP20 TSSOP28 QFN20 QFN24 | STOP, WAIT, I ² C, UART |

Analog Microcontroller (模拟微控制器)

| Part No. | VDD | IRC | ROM | RAM | GPIO | Timer | PWM | USART | I ² C | ADC | DAC | Temperature Sensor | Package |
|-------------|----------|-------|-----------|-----|------|----------|-----|-------|------------------|--------|------------|--------------------|---------|
| BL32F3202NP | 2.0~5.5V | 32MHz | 32K Flash | 2KB | 17 | 3 x16bit | 3CH | 1 | 2 | 10 + 1 | - | ±2°C | QFN20 |
| BL32F3212NQ | 2.0~5.5V | 32MHz | 32K Flash | 2KB | 20 | 3 x16bit | 3CH | 1 | 2 | 14 + 1 | - | ±2°C | QFN24 |
| BL32F3212NR | 2.0~5.5V | 32MHz | 32K Flash | 2KB | 29 | 3 x16bit | 3CH | 1 | 2 | 22 + 1 | - | ±2°C | QFN32 |
| BL32F3222NQ | 2.0~5.5V | 32MHz | 32K Flash | 2KB | 20 | 3 x16bit | 3CH | 1 | 2 | 14 + 1 | 12bit x2CH | ±2°C | QFN24 |
| BL32F3222NR | 2.0~5.5V | 32MHz | 32K Flash | 2KB | 29 | 3 x16bit | 3CH | 1 | 2 | 22 + 1 | 12bit x2CH | ±2°C | QFN32 |

Drive Circuit 驱动电路

DC Motor Driver (马达驱动)

| Part No. | VIN | Channel | Continuous Current | Peak Current | OTP | Package | Application |
|-----------|----------|---------|--------------------|--------------|-----|-----------|--------------|
| BL8310MD | 2.0~6.8V | 1 | 1A | 1.5A | Y | DFN8(2x2) | 水气表,智能锁,电动牙刷 |
| BL8310MDS | 2.0~6.8V | 1 | 1A | 1.5A | Y | SOP8 | 水汽表,智能锁 |
| BL6208 | 2.1~6.8V | 1 | 1A | 1.5A | Y | SOP8 | IR-CUT,电动牙刷 |
| BL113 | 2.1~6.8V | 1 | 1A | 1.5A | Y | SOT23-6 | 水汽表 |
| BL5610 | 2.5~12V | 1 | 1.2A | 2A | Y | SOP8 | 智能锁 |
| BL8320MD | 2.7~12V | 1 | 1.5A | 2.5A | Y | DFN8(2x2) | 水气表,玩具 |
| BL8320MDS | 2.7~12V | 1 | 1.5A | 2.5A | Y | SOP8 | 水气表,玩具 |
| BL5612 | 3.0~25V | 1 | 1.5A | 3.5A | Y | SOP8 | 断路器 |
| BL5616 | 3.0~25V | 1 | 1.5A | 3.5A | Y | SOP8 | 断路器,智能开关 |
| BL5617 | 3.0~25V | 1 | 3A | 5A | Y | SOP8 | 断路器,智能锁 |

Darlington Transistor Arrays (达林顿驱动)

| Part No. | Drivers Per Package | Output Current (Max.) | Output Voltage (Max.) | Package | Application |
|----------|---------------------|-----------------------|-----------------------|------------------|-------------|
| ULN2003 | 7 | 500mA | 50V | SOP16 | 小家电,安防,步进马达 |
| ULN2803 | 8 | 500mA | 50V | SOP18 QFN20(4x4) | 小家电,安防,步进马达 |
| ULN2803L | 8 | 500mA | 7V | CPC20 | 安防 |

Smoke Detector (烟雾检测电路)

| Part No. | Features | Hush | Output Signal | Standby Current | UL Certified | Package |
|----------|--|------|---------------------------------|-----------------|--------------|-------------|
| BL5910 | Photoelectric Type With I/O | N/A | Continuous Alarm | 10μA | Pass | DIP16 SOP16 |
| BL5912 | Photoelectric Type With I/O | N/A | Temporal Alarm | 10μA | Pass | DIP16 SOP16 |
| BL5980 | Low Voltage Photoelectric Smoke Detector ASIC With Interconnect And Timer Mode | Yes | Continuous /Temporal Selectable | 1μA | | SOP16 |

Real Time Clock (低功耗实时时钟)

| Part No. | Alarm Sets | Periodic INT | Standby | CLK/INT Output | Clock Adj. | I/O | Clock VDD | Work VDD | Package | Reference |
|----------|------------|----------------|-------------|----------------|------------|-----------------|-----------|----------|-------------------|-----------|
| BL5372 | 2 | 2Hz to 1 Month | 400nA @5.0V | Open Drain | Yes | Two-wire Serial | 1.8~5.5V | 1.8~5.5V | SOP8 TSSOP8 | 5C372 |
| BM8563 | 1 | NA | 550nA @5.0V | Open Drain | No | Two-wire Serial | 1.5~5.5V | 1.5~5.5V | SOP8 TSSOP8 MSOP8 | PCF8563 |

MOS Driver (MOSFET 驱动芯片)

| Part No. | Features | Channel | Power Inside | Isolation | VIN | VNEG | System Power Support | IOUT | Package | Application |
|----------|------------|-----------------|---------------------|-----------------|-----------|------|----------------------|-------|---------|------------------------------|
| BLD1002 | MOS Driver | 2 × Half Bridge | 2W Flyback With MOS | No | 100V Max. | - | 100V Max. | 0.5A | QFP48 | 光伏 MPPT, 直流电源模块 |
| BLD2113 | MOS Driver | Half Bridge | No | No Build-in BSD | 10~20V | -9V | 600V | 2.5A | SOP16 | 数字电源系统和电机控制 (PIN2PIN IR2113) |
| BLD2136 | MOS Driver | 3 Phase Driver | No | No Build-in BSD | 10~20V | -7V | 800V | 0.35A | SOP28 | 电机控制 (PIN2PIN IR2136) |

LED Driver LED 照明/背光驱动电路

PFC Controller With PSR For LED Driver (高 PFC 高效隔离恒流驱动电路)

| Part No. | Features | Mode | VIN | Current Accu. | Package | Reference |
|----------|--|------|-------------|---------------|--------------|---------------|
| BL8329 | PSR Single-Stage APFC Offline LED Controller | PWM | 85~264V(AC) | ±3% | SOP8 SOT23-6 | BP3319 SY5830 |

Current Ripple Removing Circuit (去纹波电流控制电路)

| Part No. | Features | MOS | Package | Reference |
|----------|---------------------------------|---------|---------|-----------|
| BL8392 | Current Ripple Removing Circuit | Ext-MOS | SOT23-6 | JW1221A |

DC/DC LED Driver (DC/DC LED 驱动电路)

Application: LED lighting driver

| Part No. | Features | Mode | VIN | IOUT | Current Accu. | IQ | Package | Reference |
|----------|---|-------------------------------|---------|------|---------------|------|---------|-----------|
| BL9582B | High Brightness Step-down LED Driver With Internal Switch Driving Up To 9 High Power LEDs, Operating Temperature Range: -40~125°C | Hysteretic Control, 1MHz Max. | 6.0~32V | 1.4A | ±4% | 50μA | SOT89-5 | PT4115 |

EEPROM 存储器

| Part No. | Capacity | Interface | VDD | Package | Reference |
|------------|------------------------------|-----------------------------|----------|--|-----------|
| BL24C02F | 2K bits | Two-wire Serial | 1.7~5.5V | DIP8 SOP8 TSSOP8 UDFN8 TSOT23-5 SOT23-5 | 24C02 |
| BL24C04F | 4K bits | Two-wire Serial | 1.7~5.5V | DIP8 SOP8 TSSOP8 UDFN8 TSOT23-5 SOT23-5 | 24C04 |
| BL24C08F | 8K bits | Two-wire Serial | 1.7~5.5V | DIP8 SOP8 TSSOP8 UDFN8 TSOT23-5 SOT23-5 | 24C08 |
| BL24C16F | 16K bits | Two-wire Serial | 1.7~5.5V | DIP8 SOP8 TSSOP8 UDFN8 TSOT23-5 SOT23-5 | 24C16 |
| BL24C32F | 32K bits | Two-wire Serial | 1.7~5.5V | DIP8 SOP8 TSSOP8 UDFN8 TSOT23-5 SOT23-5 | 24C32 |
| BL24C64A | 64K bits | Two-wire Serial | 1.7~5.5V | DIP8 SOP8 TSSOP8 UDFN8 TSOT23-5 SOT23-5 WLCSP4 | 24C64 |
| BL24SA64 | 64K bits | Two-wire Serial | 1.7~5.5V | WLCSP4 | 24SA64 |
| BL24SA64B | 64K bits | Two-wire Serial | 1.7~5.5V | WLCSP4 | 24SA64 |
| BL24SA64C | 64K bits | Two-wire Serial | 1.7~5.5V | WLCSP4 | 24SA64 |
| BL24SA64D | 64K bits | Two-wire Serial | 1.7~5.5V | WLCSP4 | 24SA64 |
| BL24C128A | 128K bits | Two-wire Serial | 1.7~5.5V | DIP8 SOP8 TSSOP8 UDFN8 WLCSP4 | 24C128 |
| BL24SA128A | 128K bits | Two-wire Serial | 1.7~5.5V | WLCSP4 | 24SA128 |
| BL24SA128B | 128K bits | Two-wire Serial | 1.7~3.6V | WLCSP4 | 24SA128 |
| BL24SA128D | 128K bits | Two-wire Serial | 1.7~3.6V | WLCSP4 | 24SA128 |
| BL24C256A | 256K bits | Two-wire Serial | 1.7~5.5V | DIP8 SOP8 TSSOP8 UDFN8 TSOT23-5 SOT23-5 | 24C256 |
| BL24SA256B | 256K bits | Two-wire Serial | 1.7~5.5V | WLCSP4 | 24SA256 |
| BL24C512A | 512K bits | Two-wire Serial | 1.7~5.5V | DIP8 SOP8 TSSOP8 UDFN8 TSOT23-5 SOT23-5 | 24C512 |
| BL24CM1A | 1024K bits | Two-wire Serial | 2.0~5.5V | DIP8 SOP8 TSSOP8 UDFN8 | 24C1024 |
| BL24CM2A | 2048K bits | Two-wire Serial | 2.8~5.5V | DIP8 SOP8 WLCSP8 | 24C2048 |
| BL25CM1A | 1024K bits | Serial Peripheral Interface | 2.8~5.5V | DIP8 SOP8 WLCSP8 | 25C1024 |
| BL25CM2A | 2048K bits | Serial Peripheral Interface | 2.8~5.5V | DIP8 SOP8 WLCSP8 | 25C2048 |
| BL34C02A | 2K bits | Two-wire Serial | 1.7~3.6V | TSSOP8 UDFN8 | 34C02 |
| BL34C04A | 4K bits | Two-wire Serial | 1.7~3.6V | UDFN8 | 34C04 |
| BL34TS00A | Temperature Sensor | Two-wire Serial | 1.7~3.6V | UDFN8 | 34TS00 |
| BL34TS02A | 2K bits + Temperature Sensor | Two-wire Serial | 1.7~3.6V | UDFN8 | 34TS02 |
| BL34TS04A | 4K bits + Temperature Sensor | Two-wire Serial | 1.7~3.6V | UDFN8 | 34TS04 |

MOSFET 金属氧化物半导体场效应晶体管

Trench MOSFET (沟槽场效应晶体管)

| Part No. | BV(V) | I _D (A) | R _{DS(ON)} (mΩ)@V _{GS} = 10V | | R _{DS(ON)} (mΩ)@V _{GS} = 4.5V | | R _{DS(ON)} (mΩ)@V _{GS} = 2.5V | | V _{TH} (V) | | | Package |
|-----------|-------|--------------------|--|------|---|------|---|------|---------------------|-------|------|--------------------------------|
| | | | Typ. | Max. | Typ. | Max. | Typ. | Max. | Min. | Typ. | Max. | |
| BLM1216Y | -12 | -8.0 | - | - | 11.5 | 18 | 14 | 22 | -0.4 | -0.7 | -1.0 | SOT23 |
| BLM2301 | -20 | -3.0 | - | - | 46 | 70 | 62 | 100 | -0.4 | -0.7 | -1.0 | SOT23 |
| BLM3415 | -20 | -4.0 | - | - | 34 | 45 | 44 | 60 | -0.35 | -0.55 | -0.9 | SOT23 |
| BLM2305 | -20 | -4.1 | - | - | 43 | 52 | 58 | 75 | -0.45 | -0.7 | -1.0 | SOT23 |
| BLM08P02 | -20 | -25 | 6.0 | 8.0 | 7.0 | 9.0 | 9.0 | 13 | -0.4 | -0.7 | -1.0 | TO252 PDFN3.3×3.3 PDFN5×6 SOP8 |
| BLM3401 | -30 | -4.2 | 45 | 54 | 50 | 65 | 63 | 88 | -0.7 | -1.0 | -1.3 | SOT23 |
| BLM3401AY | -30 | -4.4 | 42 | 52 | 48 | 65 | 68 | 120 | -0.6 | -1.0 | -1.3 | SOT23 |
| BLM3407 | -30 | -4.1 | 48 | 60 | 70 | 91 | - | - | -1.0 | -1.5 | -2.4 | SOT23 |
| BLM3407AY | -30 | -4.1 | 55 | 65 | 75 | 95 | - | - | -1.0 | -1.5 | -2.4 | SOT23 |
| BLM4953 | -30 | -5.1 | 48 | 60 | 70 | 91 | - | - | -1.0 | -1.5 | -2.4 | SOP8 |
| BLM9435 | -30 | -5.1 | 48 | 60 | 70 | 91 | - | - | -1.0 | -1.5 | -2.4 | SOP8 |
| BLM4435 | -30 | -9.1 | 15 | 20 | 21 | 35 | - | - | -1.0 | -1.5 | -2.4 | SOP8 |
| BLM4407 | -30 | -12 | 11.5 | 14 | 17 | 24 | - | - | -1.0 | -1.5 | -2.4 | SOP8 |
| BLM10P03 | -30 | -24 | 7.0 | 9.0 | 10 | 15 | - | - | -1.0 | -1.5 | -2.4 | TO252 PDFN3.3×3.3 PDFN5×6 SOP8 |
| BLM40P05 | -40 | -3.3 | 69 | 80 | 110 | 130 | - | - | -1.0 | -1.5 | -2.4 | SOT23 |
| BLM40P07S | -40 | -6.2 | 16 | 25 | 21 | 30 | - | - | -1.0 | -1.5 | -2.4 | SOP8 |
| BLM30P04 | -40 | -8.0 | 25 | 30 | 35 | 50 | - | - | -1.0 | -1.5 | -2.4 | SOT23 SOP8 |
| BLM80P10 | -100 | -20 | 70 | 84 | 90 | 117 | - | - | -1.0 | -1.7 | -2.4 | TO220 TO252 |
| BLM2302 | 20 | 2.9 | - | - | 30 | 45 | 37 | 59 | 0.5 | 0.75 | 1.2 | SOT23 |
| BLM8205 | 20 | 4.0 | - | - | 21 | 27 | 27 | 37 | 0.5 | 0.7 | 1.2 | SOT23-6 |
| BLM2004NE | 20 | 6.0 | - | - | 17 | 24 | 22 | 30 | 0.45 | 0.7 | 1.0 | SOT23-6 |
| BLM2008E | 20 | 6.0 | - | - | 17 | 24 | 22 | 31 | 0.45 | 0.7 | 1.0 | TSSOP8 |
| BLM8205A | 20 | 6.0 | - | - | 21 | 27 | 27 | 37 | 0.5 | 0.7 | 1.2 | TSSOP8 |
| BLM8205B | 20 | 6.0 | - | - | 16 | 22 | 19 | 27 | 0.5 | 0.7 | 1.2 | TSSOP8 |
| BLM9926 | 20 | 6.0 | - | - | 26 | 30 | 36 | 40 | 0.5 | 0.7 | 1.2 | SOP8 |
| BLM3416 | 20 | 6.5 | - | - | 19 | 24 | 23 | 30 | 0.45 | 0.7 | 1.0 | SOT23 |
| BLM8205BF | 20 | 6.5 | - | - | 14.5 | 22 | 19 | 27 | 0.5 | 0.7 | 1.2 | SOT23 TSSOP8 |
| BLM2010E | 20 | 7.0 | - | - | 16 | 21 | 20 | 27 | 0.5 | 0.65 | 0.9 | TSSOP8 |
| BLM3400 | 30 | 5.8 | 31 | 41 | 34 | 45 | 45 | 59 | 0.7 | 0.9 | 1.4 | SOT23 |

| Part No. | BV(V) | I _D (A) | R _{DS(ON)} (mΩ)@V _{GS} = 10V | | R _{DS(ON)} (mΩ)@V _{GS} = 4.5V | | R _{DS(ON)} (mΩ)@V _{GS} = 2.5V | | V _{TH} (V) | | | Package |
|-----------|-------|--------------------|--|------|---|------|---|------|---------------------|------|------|-------------|
| | | | Typ. | Max. | Typ. | Max. | Typ. | Max. | Min. | Typ. | Max. | |
| BLM3404 | 30 | 5.8 | 25.5 | 31 | 36 | 43 | - | - | 1.0 | 1.6 | 2.4 | SOT23 |
| BLM3050K | 30 | 50 | 8.0 | 11 | 10 | 16 | - | - | 1.0 | 1.6 | 2.4 | TO252 |
| BLM30N06L | 60 | 20 | 25 | 30 | 35 | 50 | - | - | 1.0 | 1.7 | 2.4 | TO252 |
| BLM15N06L | 60 | 60 | 11 | 15 | 20 | 30 | - | - | 1.0 | 1.7 | 2.4 | TO252 |
| BLM15N06 | 60 | 60 | 12 | 15 | - | - | - | - | 2.0 | 3.0 | 4.0 | TO252 |
| BLM12N06L | 60 | 70 | 9.0 | 12 | 14 | 25 | - | - | 1.0 | 1.7 | 2.4 | TO252 |
| BLM12N06 | 60 | 70 | 10 | 12 | - | - | - | - | 2.0 | 3.0 | 4.0 | TO252 |
| BLM08N06 | 60 | 80 | 7.0 | 8.0 | - | - | - | - | 2.0 | 3.0 | 4.0 | TO220 TO252 |
| BLM07N06 | 60 | 95 | 6.0 | 7.0 | - | - | - | - | 2.0 | 3.0 | 4.0 | TO220 TO252 |
| BLM04N06 | 60 | 150 | 3.0 | 4.0 | - | - | - | - | 2.0 | 3.0 | 4.0 | TO220 TO263 |
| BLM09N68 | 68 | 70 | 7.5 | 9.0 | - | - | - | - | 2.0 | 3.0 | 4.0 | TO220 TO252 |
| BLM08N68 | 68 | 90 | 7.0 | 8.0 | - | - | - | - | 2.0 | 3.0 | 4.0 | TO220 TO252 |
| BLM14N08 | 80 | 60 | 12 | 14 | - | - | - | - | 2.0 | 3.0 | 4.0 | TO220 TO252 |
| BLM12N08 | 80 | 70 | 10 | 12 | - | - | - | - | 2.0 | 3.0 | 4.0 | TO220 TO252 |
| BLM06N08 | 80 | 140 | 4.9 | 5.9 | - | - | - | - | 2.0 | 3.0 | 4.0 | TO220 TO263 |
| BLM04N08 | 80 | 200 | 3.5 | 4.2 | - | - | - | - | 2.0 | 3.0 | 4.0 | TO220 TO263 |
| BLM90N10L | 100 | 10 | 72 | 90 | 110 | 150 | - | - | 1.0 | 1.8 | 2.4 | TO252 |
| BLM35N10L | 100 | 20 | 28 | 35 | 38 | 50 | - | - | 1.0 | 1.8 | 2.4 | TO252 |
| BLM35N10 | 100 | 20 | 29 | 35 | - | - | - | - | 2.0 | 3.0 | 4.0 | TO252 |
| BLM30N10L | 100 | 25 | 25 | 30 | 35 | 45 | - | - | 1.0 | 1.8 | 2.4 | TO252 |
| BLM30N10 | 100 | 25 | 28 | 35 | - | - | - | - | 2.0 | 3.0 | 4.0 | TO252 |
| BLM22N10 | 100 | 50 | 18 | 22 | - | - | - | - | 2.0 | 3.0 | 4.0 | TO220 TO252 |
| BLM16N10 | 100 | 60 | 13 | 16 | - | - | - | - | 2.0 | 3.0 | 4.0 | TO220 TO252 |
| BLM08N10 | 100 | 110 | 7.0 | 8.0 | - | - | - | - | 2.0 | 3.0 | 4.0 | TO220 TO263 |
| BLM06N10 | 100 | 140 | 5.0 | 6.0 | - | - | - | - | 2.0 | 3.0 | 4.0 | TO220 TO263 |

Double Trench MOSFET (双沟槽场效应晶体管)

| Part No. | BV(V) | I _D (A) | R _{DS(ON)} (mΩ)@V _{GS} = 10V | | R _{DS(ON)} (mΩ)@V _{GS} = 4.5V | | V _{TH} (V) | | | Package |
|------------|-------|--------------------|--|------|---|------|---------------------|------|------|---------------|
| | | | Typ. | Max. | Typ. | Max. | Min. | Typ. | Max. | |
| BLP25N06L | 60 | 10 | 17 | 20 | 22 | 27 | 1.0 | 2.0 | 3.0 | PDFN 3.3×3.3 |
| BLP05N08G | 85 | 120 | 4.4 | 5.0 | - | - | 2.0 | 3.0 | 4.0 | TO220 TO263 |
| BLP065N08G | 85 | 80 | 5.4 | 6.5 | - | - | 2.0 | 3.0 | 4.0 | TO220 TO263 |
| BLP10N10 | 100 | 30 | 8.0 | 10 | - | - | 2.0 | 3.0 | 4.0 | TO252 PDFN5×6 |
| BLP10N10L | 100 | 30 | 8.0 | 10 | 11 | 15 | 1.0 | 1.8 | 2.5 | TO252 PDFN5×6 |
| BLP08N10 | 100 | 50 | 6.8 | 8.0 | - | - | 2.0 | 3.0 | 4.0 | TO252 PDFN5×6 |
| BLP08N10L | 100 | 50 | 6.8 | 8.0 | 9.0 | 12 | 1.0 | 1.8 | 2.5 | TO252 PDFN5×6 |
| BLP12N10 | 100 | 30 | 10 | 12 | - | - | 2.0 | 3.0 | 4.0 | TO252 PDFN5×6 |
| BLP12N10L | 100 | 30 | 10 | 12 | 13 | 17 | 1.0 | 1.8 | 2.5 | TO252 PDFN5×6 |
| BLP150N10 | 100 | 150 | 3.6 | 4.5 | - | - | 2.0 | 3.0 | 4.0 | TO220 TO263 |

High Voltage Planar MOSFET (高压平面型场效应晶体管)

| Part No. | V _{DSS} (V) | I _D (A) | R _{DS(ON)} (Ω)@V _{GS} = 10V | | V _{GS(th)} (V) | | | Package |
|-----------|----------------------|--------------------|---|-------|-------------------------|------|------|--------------------------|
| | | | Typ. | Max. | Min. | Typ. | Max. | |
| BL36N12L | 120 | 36 | 0.05 | 0.06 | 1.5 | 2.0 | 2.5 | TO251 TO252 |
| BL25N15L | 150 | 25 | 0.075 | 0.09 | 0.4 | 0.6 | 1.3 | TO251 TO252 |
| BL25N15BL | 150 | 25 | 0.065 | 0.08 | 1.5 | 2.0 | 2.5 | TO251 TO252 |
| BS108 | 200 | 0.3 | - | 5.0 | 0.4 | - | 1.8 | TO92 |
| BL9N20L | 200 | 9.0 | 0.27 | 0.32 | 1.0 | 1.5 | 2.0 | TO251 TO252 |
| BL9N20 | 200 | 9.0 | 0.27 | 0.32 | 2.0 | 3.0 | 4.0 | TO251 TO252 |
| BL15N20 | 200 | 15 | 0.14 | 0.2 | 2.0 | 3.0 | 4.0 | TO251 TO252 |
| BL18N20L | 200 | 18 | 0.12 | 0.15 | 1.5 | 2.0 | 2.5 | TO220F TO220 TO251 TO252 |
| BL18N20 | 200 | 18 | 0.12 | 0.15 | 2.0 | 3.0 | 4.0 | TO220F TO220 TO251 TO252 |
| BL30N20 | 200 | 30 | 0.071 | 0.085 | 2.0 | 3.0 | 4.0 | TO220F TO220 TO251 TO252 |
| BL30N20B | 200 | 30 | 0.065 | 0.075 | 2.0 | 3.0 | 4.0 | TO220F TO220 TO251 TO252 |
| BL70N20B | 200 | 70 | 0.032 | 0.036 | 2.0 | 3.0 | 4.0 | TO247 TO3PN |
| BL80N20BL | 200 | 80 | 0.02 | 0.025 | 0.4 | 0.6 | 1.3 | TO247 TO3PN |
| BL80N20B | 200 | 80 | 0.02 | 0.025 | 2.0 | 3.0 | 4.0 | TO247 TO3PN |
| BL80N20L | 200 | 80 | 0.022 | 0.028 | 0.4 | 0.6 | 1.3 | TO247 TO3PN |
| BL80N20 | 200 | 80 | 0.022 | 0.028 | 2.0 | 3.0 | 4.0 | TO247 TO3PN |

| Part No. | V _{DSS} (V) | I _D (A) | R _{DS(ON)} (Ω)@V _{GS} = 10V | | V _{GS(th)} (V) | | | Package |
|----------|----------------------|--------------------|---|-------|-------------------------|------|------|--------------------------|
| | | | Typ. | Max. | Min. | Typ. | Max. | |
| BL9N25 | 250 | 9.0 | 0.32 | 0.4 | 2.0 | 3.0 | 4.0 | TO220F TO220 TO251 TO252 |
| BL13N25L | 250 | 13 | 0.17 | 0.21 | 1.5 | 2.0 | 2.5 | TO220F TO220 TO251 TO252 |
| BL13N25 | 250 | 13 | 0.17 | 0.21 | 2.0 | 3.0 | 4.0 | TO220F TO220 TO251 TO252 |
| BL15N25 | 250 | 15 | 0.18 | 0.22 | 2.0 | 3.0 | 4.0 | TO220F TO220 TO251 TO252 |
| BL18N25 | 250 | 18 | 0.16 | 0.2 | 2.0 | 3.0 | 4.0 | TO220F TO220 TO251 TO252 |
| BL28N25 | 250 | 28 | 0.13 | 0.16 | 2.0 | 3.0 | 4.0 | TO220F TO220 TO251 TO252 |
| BL33N25B | 250 | 33 | 0.1 | 0.13 | 2.0 | 3.0 | 4.0 | TO220F TO220 |
| BL33N25 | 250 | 33 | 0.11 | 0.15 | 2.0 | 3.0 | 4.0 | TO220F TO220 |
| BL40N25B | 250 | 40 | 0.06 | 0.07 | 2.0 | 3.0 | 4.0 | TO247 TO3PN |
| BL40N25 | 250 | 40 | 0.065 | 0.08 | 2.0 | 3.0 | 4.0 | TO247 TO3PN |
| BL60N25B | 250 | 60 | 0.038 | 0.045 | 2.0 | 3.0 | 4.0 | TO247 TO3PN |
| BL60N25 | 250 | 60 | 0.042 | 0.05 | 2.0 | 3.0 | 4.0 | TO247 TO3PN |
| BL90N25B | 250 | 90 | 0.025 | 0.03 | 2.0 | 3.0 | 4.0 | TO247 TO3PN |
| BL90N25 | 250 | 90 | 0.027 | 0.032 | 2.0 | 3.0 | 4.0 | TO247 TO3PN |
| BL13N30 | 300 | 13 | 0.21 | 0.25 | 2.0 | 3.0 | 4.0 | TO220F TO220 TO251 TO252 |
| BL30N30 | 300 | 30 | 0.11 | 0.14 | 2.0 | 3.0 | 4.0 | TO220 TO220F TO263 |
| BL40N30L | 300 | 40 | 0.09 | 0.11 | 0.4 | 0.6 | 1.3 | TO247 TO3PN |
| BL40N30 | 300 | 40 | 0.09 | 0.11 | 2.0 | 3.0 | 4.0 | TO247 TO3PN |
| BL50N30 | 300 | 50 | 0.05 | 0.06 | 2.0 | 3.0 | 4.0 | TO247 TO3PN |
| BL59N30 | 300 | 59 | 0.032 | 0.041 | 2.0 | 3.0 | 4.0 | TO247 TO3PN |
| BL6N40L | 400 | 6.0 | 0.75 | 0.9 | 0.4 | 0.6 | 1.3 | TO251 TO252 TO220F TO220 |
| BL6N40 | 400 | 6.0 | 0.75 | 0.9 | 2.0 | 3.0 | 4.0 | TO251 TO252 TO220F TO220 |
| BL10N40 | 400 | 10 | 0.4 | 0.46 | 2.0 | 3.0 | 4.0 | TO251 TO252 TO220F TO220 |
| BL11N40 | 400 | 11 | 0.37 | 0.45 | 2.0 | 3.0 | 4.0 | TO220F TO220 TO251 TO252 |
| BL19N40 | 400 | 19 | 0.22 | 0.27 | 2.0 | 3.0 | 4.0 | TO220F TO220 |
| BL25N40 | 400 | 25 | 0.135 | 0.27 | 2.0 | 3.0 | 4.0 | TO220F TO220 TO247 TO3PN |
| BL35N40 | 400 | 35 | 0.09 | 0.11 | 2.0 | 3.0 | 4.0 | TO247 TO3PN |
| BL2N50 | 500 | 2.0 | 2.5 | 3.0 | 2.0 | 3.0 | 4.0 | TO220F TO220 TO251 TO252 |
| BL5N50 | 500 | 5.0 | 1.31 | 1.57 | 2.0 | 3.0 | 4.0 | TO251 TO252 TO220F TO220 |
| BL5N50A | 500 | 5.0 | 1.45 | 1.75 | 2.0 | 3.0 | 4.0 | TO251 TO252 TO220F TO220 |

| Part No. | V _{DSS} (V) | I _D (A) | R _{DS(ON)} (Ω)@V _{GS} = 10V | | V _{GS(th)} (V) | | | Package |
|----------|----------------------|--------------------|---|------|-------------------------|------|------|--------------------------|
| | | | Typ. | Max. | Min. | Typ. | Max. | |
| BL8N50 | 500 | 8.0 | 0.73 | 0.9 | 2.0 | 3.0 | 4.0 | TO220F TO220 TO251 TO252 |
| BL8N50C | 500 | 8.0 | 0.6 | 0.72 | 2.0 | 3.0 | 4.0 | TO220F TO220 TO251 TO252 |
| BL9N50 | 500 | 9.0 | 0.57 | 0.7 | 2.0 | 3.0 | 4.0 | TO251 TO252 TO220 TO220F |
| BL12N50 | 500 | 12 | 0.52 | 0.62 | 2.0 | 3.0 | 4.0 | TO220 TO220F |
| BL13N50 | 500 | 13 | 0.37 | 0.46 | 2.0 | 3.0 | 4.0 | TO220 TO220F |
| BL15N50 | 500 | 15 | 0.27 | 0.36 | 2.0 | 3.0 | 4.0 | TO220 TO220F |
| BL20N50 | 500 | 20 | 0.21 | 0.28 | 2.0 | 3.0 | 4.0 | TO220 TO220F TO3PF TO3PN |
| BL23N50 | 500 | 23 | 0.22 | 0.27 | 2.0 | 3.0 | 4.0 | TO220F TO220 TO3PN TO3PF |
| BL25N50 | 500 | 25 | 0.15 | 0.21 | 2.0 | 3.0 | 4.0 | TO3PF TO3PN |
| BL30N50 | 500 | 30 | 0.08 | 0.12 | 2.0 | 3.0 | 4.0 | TO247 TO3PN |
| BL2N60 | 600 | 2.0 | 3.4 | 4.0 | 2.0 | 3.0 | 4.0 | TO251 TO252 TO220 TO220F |
| BL4N60A | 600 | 4.0 | 2.2 | 2.6 | 2.0 | 3.0 | 4.0 | TO251 TO252 TO220 TO220F |
| BL4N60 | 600 | 4.0 | 1.7 | 2.0 | 2.0 | 3.0 | 4.0 | TO251 TO252 TO220 TO220F |
| BL7N60A | 600 | 7.0 | 1.0 | 1.25 | 2.0 | 3.0 | 4.0 | TO251 TO252 TO220 TO220F |
| BL8N60 | 600 | 8.0 | 0.85 | 1.0 | 2.0 | 3.0 | 4.0 | TO251 TO252 TO220 TO220F |
| BL10N60A | 600 | 10 | 0.67 | 0.8 | 2.0 | 3.0 | 4.0 | TO220 TO220F |
| BL10N60 | 600 | 10 | 0.47 | 0.6 | 2.0 | 3.0 | 4.0 | TO220 TO220F |
| BL12N60A | 600 | 12 | 0.46 | 0.56 | 2.0 | 3.0 | 4.0 | TO220 TO220F |
| BL12N60 | 600 | 12 | 0.4 | 0.5 | 2.0 | 3.0 | 4.0 | TO220 TO220F |
| BL20N60 | 600 | 20 | 0.29 | 0.4 | 2.0 | 3.0 | 4.0 | TO220 TO220F TO247 TO3PN |
| BL25N60 | 600 | 25 | 0.19 | 0.26 | 2.0 | 3.0 | 4.0 | TO247 TO3PN |
| BL30N60 | 600 | 30 | 0.11 | 0.15 | 2.0 | 3.0 | 4.0 | TO247 TO3PN |
| BL2N65 | 650 | 2.0 | 4.5 | 5.4 | 2.0 | 3.0 | 4.0 | TO251 TO252 TO220 TO220F |
| BL4N65A | 650 | 4.0 | 2.3 | 2.9 | 2.0 | 3.0 | 4.0 | TO251 TO252 TO220 TO220F |
| BL4N65 | 650 | 4.0 | 2.0 | 2.6 | 2.0 | 3.0 | 4.0 | TO251 TO252 TO220 TO220F |
| BL7N65 | 650 | 7.0 | 1.0 | 1.25 | 2.0 | 3.0 | 4.0 | TO251 TO252 TO220 TO220F |
| BL7N65A | 650 | 7.0 | 1.2 | 1.55 | 2.0 | 3.0 | 4.0 | TO251 TO252 TO220 TO220F |
| BL7N65B | 650 | 7.0 | 1.0 | 1.25 | 2.0 | 3.0 | 4.0 | TO251 TO252 TO220 TO220F |
| BL8N65 | 650 | 8.0 | 0.98 | 1.2 | 2.0 | 3.0 | 4.0 | TO251 TO252 TO220 TO220F |
| BL10N65A | 650 | 10 | 0.8 | 1.0 | 2.0 | 3.0 | 4.0 | TO220 TO220F |

| Part No. | V _{DSS} (V) | I _D (A) | R _{DS(ON)} (Ω)@V _{GS} = 10V | | V _{GS(th)} (V) | | | Package |
|----------|----------------------|--------------------|---|------|-------------------------|------|------|--------------------------------|
| | | | Typ. | Max. | Min. | Typ. | Max. | |
| BL10N65 | 650 | 10 | 0.55 | 0.75 | 2.0 | 3.0 | 4.0 | TO220 TO220F |
| BL12N65A | 650 | 12 | 0.54 | 0.72 | 2.0 | 3.0 | 4.0 | TO220 TO220F |
| BL12N65 | 650 | 12 | 0.45 | 0.54 | 2.0 | 3.0 | 4.0 | TO220 TO220F |
| BL20N65 | 650 | 20 | 0.38 | 0.46 | 2.0 | 3.0 | 4.0 | TO220 TO220F TO247 TO3PN |
| BL25N65 | 650 | 25 | 0.25 | 0.28 | 2.0 | 3.0 | 4.0 | TO247 TO3PN |
| BL30N65 | 650 | 30 | 0.15 | 0.18 | 2.0 | 3.0 | 4.0 | TO247 TO3PN |
| BL2N70 | 700 | 2.0 | 5.0 | 6.0 | 2.0 | 3.0 | 4.0 | TO251 TO252 TO220 TO220F |
| BL4N70 | 700 | 4.0 | 2.4 | 2.8 | 2.0 | 3.0 | 4.0 | TO251 TO252 TO220 TO220F |
| BL4N70A | 700 | 4.0 | 3.0 | 3.5 | 2.0 | 3.0 | 4.0 | TO251 TO252 TO220 TO220F |
| BL6N70A | 700 | 6.0 | 1.5 | 1.9 | 2.0 | 3.0 | 4.0 | TO251 TO252 TO220 TO220F |
| BL7N70A | 700 | 7.0 | 1.1 | 1.3 | 2.0 | 3.0 | 4.0 | TO251 TO252 TO220 TO220F |
| BL7N70 | 700 | 7.0 | 1.2 | 1.4 | 2.0 | 3.0 | 4.0 | TO251 TO252 TO220 TO220F |
| BL10N70A | 700 | 10 | 1.0 | 1.2 | 2.0 | 3.0 | 4.0 | TO220 TO220F |
| BL10N70 | 700 | 10 | 0.7 | 0.85 | 2.0 | 3.0 | 4.0 | TO220 TO220F |
| BL12N70A | 700 | 12 | 0.66 | 0.8 | 2.0 | 3.0 | 4.0 | TO220 TO220F |
| BL12N70 | 700 | 12 | 0.59 | 0.7 | 2.0 | 3.0 | 4.0 | TO220 TO220F |
| BL4N80A | 800 | 3.5 | 3.41 | 4.0 | 2.8 | - | 4.2 | TO220 TO220F TO252 TO251 |
| BL4N80 | 800 | 4.0 | 2.47 | 3.0 | 3.0 | 3.5 | 4.0 | TO220 TO220F TO251 TO252 |
| BL4N80E | 800 | 4.0 | 4.47 | 5.3 | 3.0 | 3.5 | 4.0 | TO220 TO220F TO251 TO252 |
| BL10N80 | 800 | 10 | 0.59 | 0.7 | 3.0 | 3.5 | 4.0 | TO220 TO220F TO3PN TO3PF TO247 |
| BL3N90 | 900 | 3.0 | 3.9 | 4.5 | 2.8 | - | 4.2 | TO220 TO220F TO252 TO251 |
| BL3N90E | 900 | 3.0 | 4.6 | 5.5 | 3.0 | 3.5 | 4.0 | TO220F TO251 TO252 |
| BL4N90 | 900 | 4.0 | 2.6 | 3.0 | 3.0 | 3.5 | 4.0 | TO220 TO220F TO251 TO252 |
| BL9N90 | 900 | 9.0 | 0.72 | 0.86 | 3.0 | 3.5 | 4.0 | TO220 TO220F TO3PN TO3PF TO247 |
| BL2N100 | 1000 | 2.0 | 5.2 | 6.0 | 3.0 | 3.5 | 4.0 | TO220 TO220F TO3PN TO3PF TO247 |
| BL3N100 | 1000 | 3.0 | 3.2 | 4.0 | 3.0 | 3.5 | 4.0 | TO220 TO220F TO251 TO252 |
| BL3N100E | 1000 | 2.5 | 6.2 | 7.5 | 3.0 | 3.5 | 4.0 | TO220 TO220F TO251 TO252 |
| BL8N100 | 1000 | 8.0 | 1.0 | 1.2 | 3.0 | 3.5 | 4.0 | TO220 TO220F TO3PN TO3PF TO247 |
| BL3N105 | 1050 | 3.0 | 4.0 | 4.8 | 3.0 | 3.5 | 4.0 | TO220 TO220F TO251 TO252 |
| BL3N120 | 1200 | 3.0 | 5.0 | 6.0 | 3.0 | 4.0 | 5.0 | TO220 TO220F TO251 TO252 |

| Part No. | V _{DSS} (V) | I _D (A) | R _{DS(ON)} (Ω)@V _{GS} = 10V | | V _{GS(th)} (V) | | | Package |
|----------|----------------------|--------------------|---|------|-------------------------|------|-------|--------------------------------|
| | | | Typ. | Max. | Min. | Typ. | Max. | |
| BL4N120 | 1200 | 4.0 | 2.9 | 3.5 | 3.0 | 4.0 | 5.0 | TO220 TO220F TO247 TO3PF TO3PN |
| BL6N120 | 1200 | 6.0 | 2.1 | 2.5 | 3.0 | 4.0 | 5.0 | TO220 TO220F TO247 TO3PF TO3PN |
| BL5N135 | 1350 | 5.0 | 3.0 | 3.6 | 3.0 | 4.0 | 5.0 | TO220 TO220F TO3PN TO3PF TO247 |
| BL2N150 | 1500 | 2.0 | 8.3 | 10 | 3.0 | 4.0 | 5.0 | TO220 TO220F TO251 TO252 |
| BL3N150 | 1500 | 3.0 | 4.8 | 6.0 | 3.0 | 4.0 | 5.0 | TO220 TO220F TO247 TO3PF TO3PN |
| BL4N150 | 1500 | 4.0 | 3.5 | 4.2 | 3.0 | 4.0 | 5.0 | TO220 TO220F TO247 TO3PF TO3PN |
| BSP304 | -300 | 0.17 | - | 17 | -1.7 | - | -2.55 | TO92 |

High Voltage Super Junction MOSFET (高压超结型场效应晶体管)

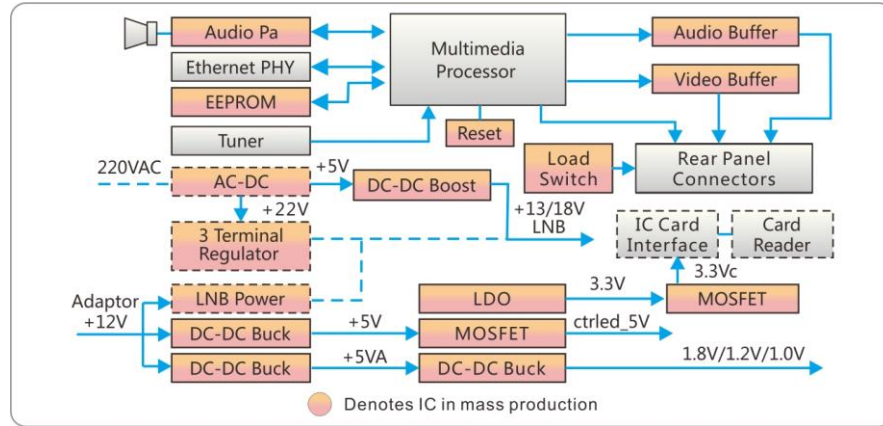
| Part No. | V _{DSS} (V) | I _D (A) | R _{DS(ON)} (Ω)@V _{GS} = 10V | | V _{GS(th)} (V) | | | Package |
|-------------|----------------------|--------------------|---|-------|-------------------------|------|------|--------------------------|
| | | | Typ. | Max. | Min. | Typ. | Max. | |
| BLS60R520 | 600 | 8.0 | 0.46 | 0.52 | 3.0 | 3.5 | 4.0 | TO220 TO220F TO251 TO252 |
| BLS60R360 | 600 | 11 | 0.31 | 0.36 | 2.5 | 3.0 | 3.5 | TO220 TO220F TO251 TO252 |
| BLS60R380F | 600 | 11 | 0.33 | 0.38 | 3.5 | 4.0 | 4.5 | TO220 TO220F TO251 TO252 |
| BLS60R150 | 600 | 25 | 0.12 | 0.15 | 3.0 | 3.5 | 4.0 | TO220 TO220F TO247 TO3PN |
| BLS60R150F | 600 | 25 | 0.13 | 0.15 | 3.5 | 4.0 | 4.5 | TO220 TO220F TO247 TO3PN |
| BLS60R036 | 600 | 80 | 0.032 | 0.036 | 3.5 | 4.0 | 4.5 | TO247 TO3PN |
| BLS60R600EF | 600 | 7.0 | 0.52 | 0.6 | 3.5 | 4.0 | 4.5 | TO220 TO220F TO251 TO252 |
| BLS60R560EF | 600 | 8.0 | 0.45 | 0.58 | 3.0 | 3.5 | 4.0 | TO220 TO220F TO251 TO252 |
| BLS60R520EP | 600 | 8.0 | 0.46 | 0.59 | 3.0 | 3.5 | 4.0 | TO220 TO220F TO251 TO252 |
| BLS60R160 | 600 | 24 | 0.14 | 0.16 | 2.0 | 3.0 | 4.0 | TO220 |
| BLS60R390F | 600 | 11 | 0.32 | 0.39 | 3.0 | 4.0 | 5.0 | TO220 |
| BLS65R620F | 650 | 8.0 | 0.55 | 0.71 | 3.5 | 4.0 | 4.5 | TO220 TO220F TO251 TO252 |
| BLS65R560 | 650 | 8.0 | 0.5 | 0.56 | 3.0 | 3.5 | 4.0 | TO220 TO220F TO251 TO252 |
| BLS65R380 | 650 | 11 | 0.33 | 0.38 | 2.5 | 3.0 | 3.5 | TO220 TO220F TO251 TO252 |
| BLS65R165 | 650 | 24 | 0.33 | 0.17 | 3.0 | 3.5 | 4.0 | TO220 TO220F TO247 TO3PN |
| BLS65R041F | 650 | 80 | 0.33 | 0.042 | 3.5 | 4.0 | 4.5 | TO247 TO3PN |
| BLS70R600 | 700 | 8.0 | 0.33 | 0.6 | 3.0 | 3.5 | 4.0 | TO220 TO220F TO251 TO252 |
| BLS70R420 | 700 | 11 | 0.33 | 0.42 | 2.5 | 3.0 | 3.5 | TO220 TO220F TO251 TO252 |
| BLS70R180 | 700 | 23 | 0.33 | 0.18 | 3.0 | 3.5 | 4.0 | TO220 TO220F TO247 TO3PN |

| Part No. | V _{DSS} (V) | I _D (A) | R _{DS(ON)} (Ω)@V _{GS} = 10V | | V _{GS(th)} (V) | | | Package |
|------------|----------------------|--------------------|---|------|-------------------------|------|------|---------------------------------|
| | | | Typ. | Max. | Min. | Typ. | Max. | |
| BLS80R760 | 800 | 10 | 0.59 | 0.76 | 2.5 | 3.0 | 3.5 | TO220 TO220F TO251 TO252 |
| BLS80R990 | 800 | 7.0 | 0.88 | 1.1 | 2.5 | 3.0 | 3.5 | TO220 TO220F TO251 TO252 |
| BLS80R1K0E | 800 | 8.0 | 0.89 | 1.1 | 2.5 | 3.0 | 3.5 | TO220 TO220F TO251 TO252 SOT223 |

IGBT 绝缘栅双极晶体管

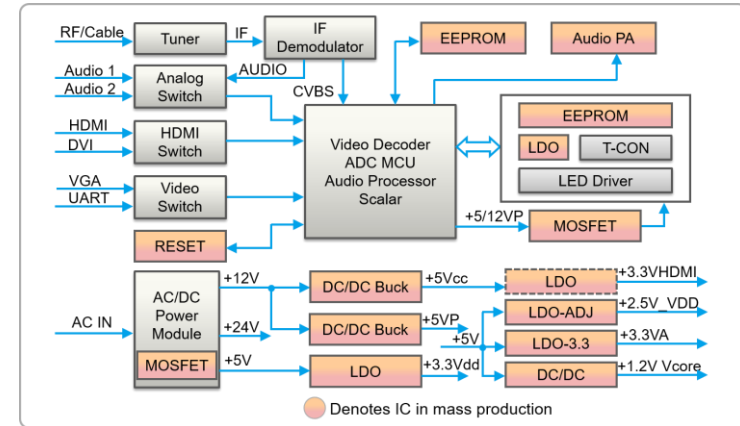
| Part No. | BV _{CES} (V) | I _C (A) | V _{CE(sat)} (V) | | V _{GS(th)} (V) | | | T _{don} (ns) | Tr(ns) | T _{doff} (ns) | T _f (ns) | E _{on} (mJ) | E _{off} (mJ) | Package |
|--------------|-----------------------|--------------------|--------------------------|------|-------------------------|------|------|-----------------------|--------|------------------------|---------------------|----------------------|-----------------------|---------|
| | | | Typ. | Max. | Min. | Typ. | Max. | Typ. | Typ. | Typ. | Typ. | Typ. | Typ. | |
| BLG3040 | 400 | 17 | 1.3 | 1.6 | 1.3 | 1.8 | 2.2 | - | - | - | - | - | - | TO252 |
| BLG15T65FUL | 650 | 15 | 1.5 | 1.8 | 3.7 | 4.5 | 5.3 | 15 | 10 | 130 | 32 | 0.1 | 0.15 | TO220 |
| BLG40T120FDH | 1200 | 40 | 2.1 | 2.4 | 5.0 | 5.8 | 6.5 | 54 | 105 | 263 | 40 | 6.0 | 1.50 | TO247 |
| BLG40T120FUH | 1200 | 40 | 2.1 | 2.4 | 5.0 | 5.8 | 6.5 | 54 | 105 | 263 | 40 | 6.0 | 1.50 | TO247 |
| BLG40T120FUK | 1200 | 40 | 2.3 | 2.6 | 5.0 | 5.8 | 6.5 | 54 | 105 | 247 | 33 | 5.5 | 1.15 | TO247 |

Belling STB Solution (贝岭 IC 在机顶盒中的应用)



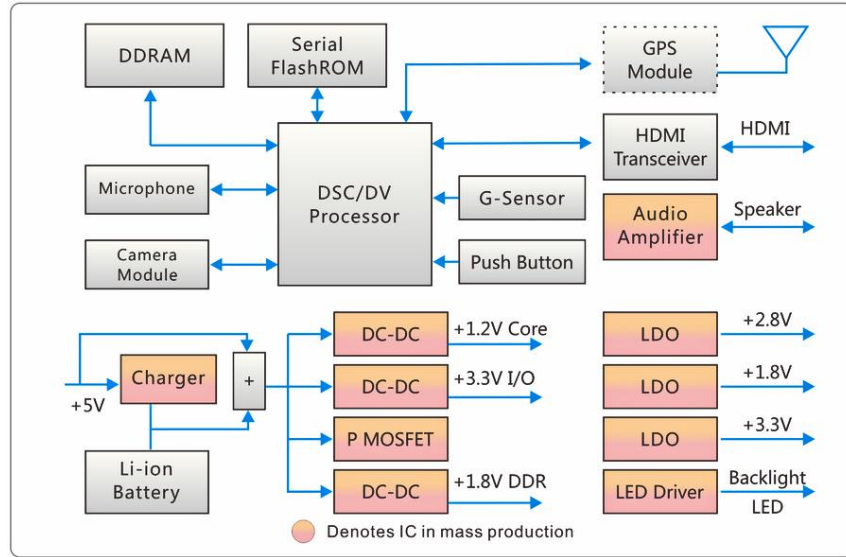
| Type | Part No. | Description | Package |
|--------------------------|----------|---|--|
| Linear Voltage Regulator | BL1117 | 1A Bipolar LDO | SOT223 TO252 |
| | BL9110 | 1A CMOS LDO | SOT223 TO252 |
| 3 Terminal Regulator | BL317B | 1.5A Bipolar Adjustable | TO220 SOT223 TO252 |
| DC-DC Buck Converter | BL8028 | 1.5A /6V 1.5MHz DC-DC Sync Buck PWM/PFM | SOT23-5 |
| | BL8032S | 2A /16V Synchronous Buck | SOT23-6 |
| | BL8032 | 2A /18V Synchronous Buck | SOT23-6 |
| | BL9309 | 2A/5.5V DC/DC Synchronous Buck | SOP8 |
| | BL8033 | 3A /16V Synchronous Buck | SOT23-6 |
| Reset | BL8034 | 4A /16V Synchronous Buck | ESOP8 |
| | BL8518 | Voltage Detector, Reset | SOT23-3 SOT23-5 |
| EEPROM | BL24CXXX | 2K~2048Kbit EEPROM | DIP8 SOP8 TSSOP8 UDFN8 TSOT23-5 WLCSP4 |
| Audio | BL6281 | 1.7W Class AB | MSOP8 SOP8 |
| | BL6282 | 1.7W Class AB | SOP8 |
| | BL6306 | 2.6W Class D | MSOP8 |
| Analog Switch | BL1551 | 2.7Ω 300MHz SPDT | SC70-6 |
| Video Buffer | BL1511/B | 1 channel 5 th Order SDTV Video Filter | SC70-5 |
| | BL1513 | 3 channel 5 th Order SDTV Video Filter | SOP8 |
| MOSFET | BLM2301 | 20V/3.0A, 46mΩ P-MOSFET | SOT23-3 |
| | BLM3400 | 30V/5.8A, 31mΩ N-MOSFET | SOT23-3 |
| | BLM3401 | 30V/4.2A, 50mΩ P-MOSFET | SOT23-3 |
| | BLM7002K | 60V/0.3A 1mΩ N-MOSFET With ESD Diode | SOT23-3 |
| Load Switch | BL2555 | Max 2A Current Limit Load Switch | SOT23-5 |
| AC-DC | BL8891B | 15W Current Mode PWM Power Switch | DIP7 |

Belling LCD TV Solution (贝岭 IC 在平板电视中的应用)



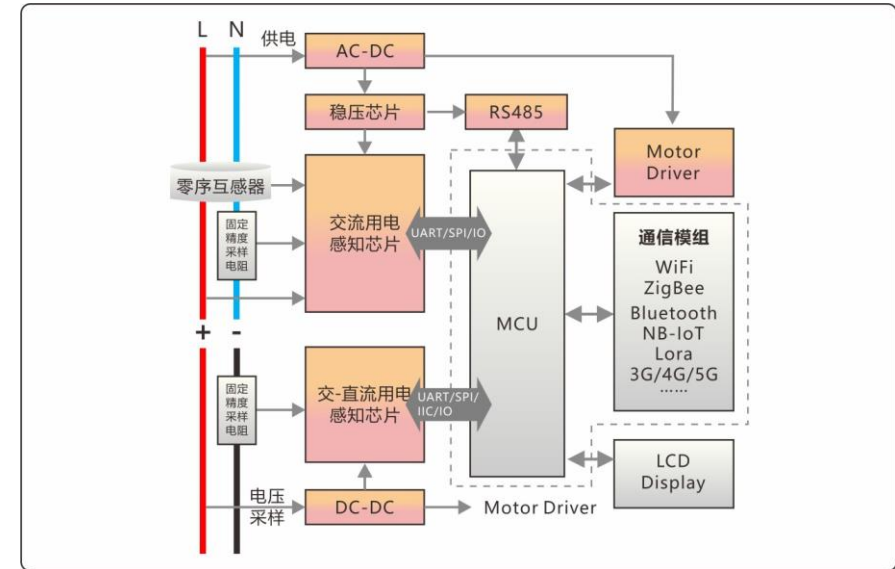
| Type | Part No. | Description | Package |
|-----------------|--------------|------------------------------|--|
| LDO | BL1117 | 1A Bipolar LDO | SOT223 TO252 |
| | BL1118 | Dual 1A Bipolar LDO | ESOP8 |
| | BL9110 /8071 | 1A/1.5A CMOS LDO | SOT223 TO252 |
| | BL1084 /1085 | 5A/3A Bipolar LDO | TO252 TO263 |
| | BL9195 /9198 | 300mA CMOS LDO | SOT23-3 SOT23-5 |
| | BL8568 | 500mA CMOS LDO | SOT23-5 |
| DC-DC Sync Buck | BL8028 | 1.5A /6V 2MHz DC-DC Sync | SOT23-5 DFN1x1-6L |
| | BL8032S | 2A /16V Synchronous Buck | SOT23-6 |
| | BL8032 | 2A /18V Synchronous Buck | SOT23-6 |
| | BL8032H | 2A /18V 1 MHz Sync DC/DC | SOT23-6 |
| Reset | BL8033 | 3A /16V Sync DC/DC Step-Down | SOT23-6 |
| | BL8034 | 4A /16V Sync DC/DC Step-Down | ESOP8 |
| Reset | BL8518 | Voltage Detector, Reset | SOT23-3 SOT23-5 |
| EEPROM | BL24CXXX | 2K~2048Kbit EEPROM | DIP8 SOP8 TSSOP8 UDFN8 TSOT23-5 WLCSP4 |
| Audio PA | BL6356 | 10W x 2 Class D | TSSOP28 |
| | BLM3407 | 30V/4.1A, 46mΩ P-MOSFET | SOT23-3 |
| MOSFET | BLM3401 | 30V/4.2A, 50mΩ P-MOSFET | SOT23-3 |
| | BLM9435 | 30V/5.1A, 48mΩ P-MOSFET | SOP8 |
| | BL15N50 | 500V/15A, 290mΩ N-MOSFET | TO220 TO220F |
| | BL20N50 | 500V/20A, 230mΩ N-MOSFET | TO220 TO220F TO3PF |
| | BLS65R380 | 650V/11A, 330mΩ N-MOSFET | TO220 TO220F TO251 |
| | BLS70R420 | 700V/11A, 350mΩ N-MOSFET | TO220 TO220F TO251 |

Belling Car Black Box Solution (贝岭 IC 在行车记录仪中的应用)



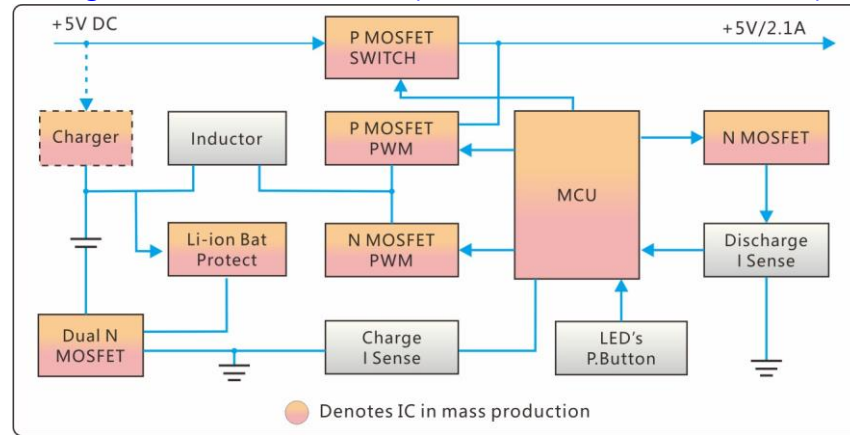
| Type | Part No. | Description | Package |
|------------------------|----------------|---|------------------------|
| DC-DC | BL8028 | 1.5A/6V 2MHz Sync Buck | SOT23-5 DFN2x2-6 |
| LDO | BL8062 | 3µA Quiescent Current 250mA | SOT23-3 SOT89-3 |
| | BL9198 | 300mA/6V High PSRR CMOS LDO | SOT23-5 SC-70 |
| | BL9161 | 300mA/5.5V High PSRR CMOS LDO | SOT23-5 SC-70 DFN1x1-4 |
| | BL9162 | 300mA/5.5V High PSRR CMOS LDO | SOT23-5 SC-70 DFN1x1-4 |
| | BL9165 | 500mA/5.5V High PSRR CMOS LDO | SOT23-5 SC-70 DFN1x1-4 |
| | BL8568 | 500mA High PSRR LDO | SOT23-5 SC-70 DFN1x1-4 |
| Li-ion Battery Charger | BL4054B | 800mA Linear Li-ion Battery Charger | SOT23-5 TSOT23-5 |
| | BL4056C | 1A Linear Li-ion Battery Charger | ESOP8 |
| | BL8573 | 0.5A/1.5A Linear Li-ion Battery Charger | SOT23-6 ESOP8 |
| Reset | BL8518 | Voltage Detector, Reset | SOT23-3 SOT23-5 |
| MOSFET | BLM2301 | 20V/3.0A, 46mΩ P-MOSFET | SOT23-3 |
| | BLM2305 | 20V/4.1A, 43mΩ P-MOSFET | SOT23-3 |
| | BLM3401 | 30V/4.2A, 50mΩ P-MOSFET | SOT23-3 |
| Audio Amplifier | BL6306 | 2.6W Class D Audio Amplifier | DFN8 SOP8 MSOP8 |
| | BL6281 | 1.7W Class AB Audio Amplifier | MSOP8 SOP8 |

Belling Power Signal Sensor and Wireless Transmission System Solution (贝岭 IC 在用电感知系统中的应用)



| Type | Part No. | Description | Package |
|-----------------------|-----------------------|---|---------------------------------|
| AC Power Sensing Chip | BL0937 | 1 Channel AC Power Sensing Chip | SOP8 |
| | BL0939 | 2 Channel AC Power Sensing Chip | SOP16 SSOP20 |
| | BL0940 | 1 Channel AC Power Sensing Chip Up to 105°C Environment Temperature | TSSOP14 |
| | BL0942 | 1 Channel AC Power Sensing Chip | SSOP10 TSSOP14 |
| | BL0910 | 10 Channel AC Power Sensing Chip | LQFP48 |
| | DC Power Sensing Chip | BL0972 | 1 Channel DC Power Sensing Chip |
| BL0956 | | 6 Channel DC Power Sensing Chip | LQFP32 |
| AC-DC | BL8812 | 12W With Internal 650V Power MOSFET | SOP7 |
| | BL8851 | Max. 60W With External Power MOSFET | SOT23-6 |
| Motor Driver | BL5612 | 1.5A 3.0~25V H-Bridge Driver | SOP8 |
| | BL5617 | 3.0A 3.0~25V H-Bridge Driver | SOP8 |
| RS485 | BL3085 | RS485 Interface | SOP8 |
| LDO | BL9162 | 5.5V 300mA LDO | DFN1x1 SOT23-5 |
| | BL78L05D | 42V 100mA Voltage Regulators | SOT89-3 |

Belling Mobile Power Solution (贝岭 IC 在移动电源中的应用)



| Type | Part No. | Description | Package |
|---------|------------------|---|-----------------------------|
| MCU | BL32F3210 | 32bit M0 CPU With 33KB Flash, 15Chx12bit ADC and Programmable PWM | TSSOP20 TSSOP28 QFN20 QFN24 |
| LDO | BL8503 | Micro Power 250mA LDO | SOT23-3 SOT89-3 TO92 |
| | BL8077 | 0.8μA Iq 300mA LDO | DFN1x1-4 SOT23-5 |
| | BL8064 | 1μA Micro Power 200mA LDO | SOT23-3 SOT89-3 |
| Charger | BL4054B | 800mA Lion Battery Charger | SOT23-5 TSOT23-5 |
| | BL4056C | 4.2V/4.35V 1A Li-ion Battery Charger | ESOP8 |
| | BL8573 | 4.2V/4.35V 0.5A/1.5A Li-ion Battery Charger | ESOP8 SOT23-6 |
| MOSFET | BLM2302 | 20V/2.9A, 30mΩ N MOSFET | SOT23-3 |
| | BLM3401 | 30V/4.2A, 50mΩ P MOSFET | SOT23-3 |
| | BLM3400 | 30V/5.8A, 31mΩ N MOSFET | SOP8 |
| | BLM9926 | 20V/6.0A, 26mΩ Dual N MOSFET | SOP8 |
| | BLM8205 | 20V/4.0A, 21mΩ Dual N MOSFET | SOT23-6 |
| | BLM8205A | 20V/6.0A, 21mΩ Dual N MOSFET | TSSOP8 |
| | BLM8205B | 20V/6.0A, 16mΩ Dual N MOSFET | SOT23-6 TSSOP8 |

Introduction of Shanghai Belling 上海贝岭简介



- 上海贝岭公司创建于 1988 年，是国内集成电路行业的第一家中外合资企业。1998 年改制上市，成为中国集成电路行业第一家上市公司。公司于 2008 年起转型为集成电路设计企业，2015 年成为世界财富 500 强中国电子信息产业集团有限公司(CEC)旗下集成电路业务平台华大半导体的核心子企业，华大半导体是公司控股股东，也是国内前十的 IC 设计企业。
- 上海贝岭地处上海市漕河泾新兴技术开发区，拥有国家级企业技术中心。公司专注于集成电路芯片设计和产品应用开发，是国内集成电路产品主要供应商之一。公司重点发展消费类和工控类两大产品板块业务，目前集成电路产品业务细分为电源管理、智能计量及 SoC、非挥发存储器、功率器件和高速高精度 ADC 等 5 大产品领域，主要目标市场为电表、手机、液晶电视及平板显示、机顶盒等各类工业及消费电子产品。
- 上海贝岭依靠自身以及华大半导体的集群优势，与国内晶圆制造、封装测试企业建立了长期、稳定的上下游合作关系，良好的产业链资源为公司快速响应市场需求提供了有力保障。除上海总部外，公司还设有深圳、北京销售办事处，为客户提供方便快捷的服务。公司拥有强大的 FAE 团队支持能力，能帮助客户快速完成产品设计导入、创造更多价值。
- 公司成立之初即引进欧洲先进的技术和质量管理体系，以可靠的产品质量树立长久的品牌形象。公司自 2004 年起通过 BVQI ISO14001 第三方认证，一直坚持促进经济可持续发展，预防污染，并将此理念向上级供应链传递。2010 年开始，公司主动升级产品环保标准，公司产品全部满足 ROHS、无卤、REACH 等环保标准。
- 公司将围绕“服务国家战略，实现自主可控，成为掌握核心技术的模拟 IC 主流供应商”的发展目标，打造华大半导体旗下功率器件和模拟电路业务平台，并行发展工控市场及海量市场业务，朝着成为国内一流的模拟集成电路和功率器件设计公司的目标不断努力。

Index of Part Number -1 型号索引 1

| | | | | | | | | | | | |
|----------|----|-----------|----|------------|----|-------------|----|----------|----|-----------|----|
| BL0910 | 6 | BL12N50 | 19 | BL24C04F | 14 | BL3085A(H) | 8 | BL4056C | 4 | BL5N50 | 18 |
| BL0921 | 6 | BL12N60 | 19 | BL24C08F | 14 | BL3085B | 8 | BL40N25 | 18 | BL5N50A | 18 |
| BL0930F | 6 | BL12N60A | 19 | BL24C128A | 14 | BL3085N | 8 | BL40N25B | 18 | BL60N25 | 18 |
| BL0937 | 6 | BL12N65 | 20 | BL24C16F | 14 | BL30N20 | 17 | BL40N30 | 18 | BL60N25B | 18 |
| BL0939 | 6 | BL12N65A | 20 | BL24C256A | 14 | BL30N20B | 17 | BL40N30L | 18 | BL6208 | 12 |
| BL0940 | 6 | BL12N70 | 20 | BL24C32F | 14 | BL30N30 | 18 | BL4N120 | 21 | BL6281 | 8 |
| BL0942 | 6 | BL12N70A | 20 | BL24C512A | 14 | BL30N50 | 19 | BL4N150 | 21 | BL6282 | 8 |
| BL0956 | 6 | BL13N25 | 18 | BL24C64A | 14 | BL30N60 | 19 | BL4N60 | 19 | BL6306 | 8 |
| BL0972 | 6 | BL13N25L | 18 | BL24CM1A | 14 | BL30N65 | 20 | BL4N60A | 19 | BL6356 | 8 |
| BL1031 | 10 | BL13N30 | 18 | BL24CM2A | 14 | BL317B | 4 | BL4N65 | 19 | BL6501A | 6 |
| BL1040 | 10 | BL13N50 | 19 | BL24SA128A | 14 | BL321 | 9 | BL4N65A | 19 | BL6503E | 6 |
| BL1045 | 10 | BL1511 | 9 | BL24SA128B | 14 | BL32F3202NP | 11 | BL4N70 | 20 | BL6513C | 6 |
| BL1063 | 10 | BL1511B | 9 | BL24SA128D | 14 | BL32F3210 | 11 | BL4N70A | 20 | BL6523B | 6 |
| BL1064 | 10 | BL1513 | 9 | BL24SA256B | 14 | BL32F3212NQ | 11 | BL4N80 | 20 | BL6523GX | 6 |
| BL1065 | 10 | BL1530 | 8 | BL24SA64 | 14 | BL32F3212NR | 11 | BL4N80A | 20 | BL6552 | 6 |
| BL1080 | 10 | BL1532 | 8 | BL24SA64B | 14 | BL32F3222NQ | 11 | BL4N80E | 20 | BL66A0042 | 6 |
| BL1081 | 10 | BL1551 | 8 | BL24SA64C | 14 | BL32F3222NR | 11 | BL4N90 | 20 | BL6810 | 7 |
| BL1082 | 10 | BL1555 | 8 | BL24SA64D | 14 | BL33N25 | 18 | BL50N30 | 18 | BL6N120 | 21 |
| BL1084 | 4 | BL1587 | 8 | BL2555 | 4 | BL33N25B | 18 | BL5372 | 12 | BL6N40 | 18 |
| BL1085 | 4 | BL1587DN | 8 | BL25CM1A | 14 | BL34C02A | 14 | BL55024 | 7 | BL6N40L | 18 |
| BL1086 | 10 | BL15N20 | 17 | BL25CM2A | 14 | BL34C04A | 14 | BL55028 | 7 | BL6N70A | 20 |
| BL1088 | 10 | BL15N25 | 18 | BL25N15BL | 17 | BL34TS00A | 14 | BL55066 | 7 | BL70N20B | 17 |
| BL10N40 | 18 | BL15N50 | 19 | BL25N15L | 17 | BL34TS02A | 14 | BL55070 | 7 | BL78L05 | 4 |
| BL10N60 | 19 | BL18N20 | 17 | BL25N40 | 18 | BL34TS04A | 14 | BL55072A | 7 | BL78L05D | 4 |
| BL10N60A | 19 | BL18N20L | 17 | BL25N50 | 19 | BL358 | 9 | BL55077 | 7 | BL7N60A | 19 |
| BL10N65 | 20 | BL18N25 | 18 | BL25N60 | 19 | BL35N40 | 18 | BL55080 | 7 | BL7N65 | 19 |
| BL10N65A | 19 | BL19N40 | 18 | BL25N65 | 20 | BL36N12L | 17 | BL5610 | 12 | BL7N65A | 19 |
| BL10N70 | 20 | BL20N50 | 19 | BL28N25 | 18 | BL3N100 | 20 | BL5612 | 12 | BL7N65B | 19 |
| BL10N70A | 20 | BL20N60 | 19 | BL2N100 | 20 | BL3N100E | 20 | BL5616 | 12 | BL7N70 | 20 |
| BL10N80 | 20 | BL20N65 | 20 | BL2N150 | 21 | BL3N105 | 20 | BL5617 | 12 | BL7N70A | 20 |
| BL1117 | 4 | BL23M1610 | 11 | BL2N50 | 18 | BL3N120 | 20 | BL5910 | 12 | BL8023C | 7 |
| BL1117C | 4 | BL23N50 | 19 | BL2N60 | 19 | BL3N150 | 21 | BL5912 | 12 | BL8023D | 7 |
| BL1118 | 4 | BL23P42 | 11 | BL2N65 | 19 | BL3N90 | 20 | BL5980 | 12 | BL8023F | 7 |
| BL113 | 12 | BL23P516 | 11 | BL2N70 | 20 | BL3N90E | 20 | BL59N30 | 18 | BL8023H | 7 |
| BL11N40 | 18 | BL24C02F | 14 | BL3085 | 8 | BL4054B | 4 | BL5N135 | 21 | BL8023K | 7 |

Index of Part Number -2 型号索引 2

| | | | | | | | | | | | |
|-----------|----|----------|----|--------------|----|-----------|----|------------|----|-------------|----|
| BL8026 | 1 | BL8392 | 13 | BL9195 | 2 | BLM04N06 | 16 | BLM3407 | 15 | BLS60R150 | 21 |
| BL8028 | 1 | BL8503 | 2 | BL9198 | 2 | BLM04N08 | 16 | BLM3407AY | 15 | BLS60R150F | 21 |
| BL8029 | 1 | BL8506 | 5 | BL9309 | 1 | BLM06N08 | 16 | BLM3415 | 15 | BLS60R160 | 21 |
| BL8032 | 1 | BL8511 | 5 | BL9315 | 1 | BLM06N10 | 16 | BLM3416 | 15 | BLS60R360 | 21 |
| BL8032H | 1 | BL8518 | 5 | BL9342 | 1 | BLM07N06 | 16 | BLM35N10 | 16 | BLS60R380F | 21 |
| BL8032S | 1 | BL8531 | 2 | BL9352A | 1 | BLM08N06 | 16 | BLM35N10L | 16 | BLS60R390F | 21 |
| BL8033 | 1 | BL8531C | 2 | BL9359 | 1 | BLM08N10 | 16 | BLM40P05 | 15 | BLS60R520 | 21 |
| BL8034 | 1 | BL8536 | 2 | BL9362 | 1 | BLM08N68 | 16 | BLM40P07S | 15 | BLS60R520EP | 21 |
| BL8035 | 1 | BL8555 | 2 | BL9582B | 13 | BLM08P02 | 15 | BLM4407 | 15 | BLS60R560EF | 21 |
| BL8036 | 1 | BL8558 | 3 | BL9N20 | 17 | BLM09N68 | 16 | BLM4435 | 15 | BLS60R600EF | 21 |
| BL8037 | 1 | BL8563 | 2 | BL9N20L | 17 | BLM10P03 | 15 | BLM4953 | 15 | BLS65R041F | 21 |
| BL8061 | 2 | BL8565 | 3 | BL9N25 | 18 | BLM1216Y | 15 | BLM80P10 | 15 | BLS65R165 | 21 |
| BL8062 | 2 | BL8566 | 3 | BL9N50 | 19 | BLM12N06 | 16 | BLM8205 | 15 | BLS65R380 | 21 |
| BL8063 | 2 | BL8568 | 3 | BL9N90 | 20 | BLM12N06L | 16 | BLM8205A | 15 | BLS65R560 | 21 |
| BL8064 | 2 | BL8569 | 3 | BLAD14Q125 | 10 | BLM12N08 | 16 | BLM8205B | 15 | BLS65R620F | 21 |
| BL8067 | 2 | BL8573 | 4 | BLAD14Q80 | 10 | BLM14N08 | 16 | BLM8205BF | 15 | BLS70R180 | 21 |
| BL8067A | 3 | BL8574 | 4 | BLAD16D125 | 10 | BLM15N06 | 16 | BLM90N10L | 16 | BLS70R420 | 21 |
| BL8071 | 3 | BL8576 | 4 | BLAD16D80 | 10 | BLM15N06L | 16 | BLM9435 | 15 | BLS70R600 | 21 |
| BL8072 | 3 | BL8802 | 5 | BLAD16Q125 | 10 | BLM16N10 | 16 | BLM9926 | 15 | BLS80R1K0E | 22 |
| BL8073 | 3 | BL8812 | 5 | BLD1002 | 13 | BLM2004NE | 15 | BLP05N08G | 17 | BLS80R760 | 22 |
| BL8074 | 3 | BL8851 | 5 | BLD2113 | 13 | BLM2008E | 15 | BLP065N08G | 17 | BLS80R990 | 22 |
| BL8075 | 3 | BL8891B | 5 | BLD2136 | 13 | BLM2010E | 15 | BLP08N10 | 17 | BM8563 | 12 |
| BL8077 | 2 | BL8N100 | 20 | BLD7720AH | 5 | BLM22N10 | 16 | BLP08N10L | 17 | BS108 | 17 |
| BL8078 | 2 | BL8N50 | 19 | BLD7720AL | 5 | BLM2301 | 15 | BLP10N10 | 17 | BSP304 | 21 |
| BL8079 | 3 | BL8N50C | 19 | BLD7721AH | 5 | BLM2302 | 15 | BLP10N10L | 17 | ULN2003 | 12 |
| BL8079A | 3 | BL8N60 | 19 | BLD7721AL | 5 | BLM2305 | 15 | BLP12N10 | 17 | ULN2803 | 12 |
| BL80N20 | 17 | BL8N65 | 19 | BLD7741BH | 5 | BLM3050K | 16 | BLP12N10L | 17 | ULN2803L | 12 |
| BL80N20B | 17 | BL90N25 | 18 | BLD7741BL | 5 | BLM30N06L | 16 | BLP150N10 | 17 | | |
| BL80N20BL | 17 | BL90N25B | 18 | BLD7742BH | 5 | BLM30N10 | 16 | BLP25N06L | 17 | | |
| BL80N20L | 17 | BL9110 | 3 | BLD7742BL | 5 | BLM30N10L | 16 | BLR120 | 11 | | |
| BL8310MD | 12 | BL9161 | 2 | BLG15T65FUL | 22 | BLM30P04 | 15 | BLR125 | 11 | | |
| BL8310MDS | 12 | BL9162 | 2 | BLG3040 | 22 | BLM3400 | 15 | BLR133 | 11 | | |
| BL8320MD | 12 | BL9165 | 3 | BLG40T120FDH | 22 | BLM3401 | 15 | BLR140 | 11 | | |
| BL8320MDS | 12 | BL9180 | 3 | BLG40T120FUH | 22 | BLM3401AY | 15 | BLR150 | 11 | | |
| BL8329 | 13 | BL9193 | 2 | BLG40T120FUK | 22 | BLM3404 | 16 | BLS60R036 | 21 | | |